



INSTALLATION INSTRUCTIONS

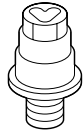
Accessory
ENGINE BLOCK HEATER
P/N 08T44-SVB-100

Application
2008 CR-V

Publications No.
All 37479
Issue Date
AUG 2007

PARTS LIST

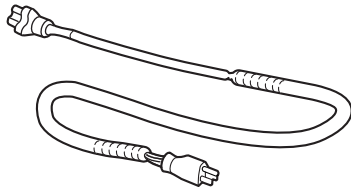
Engine block heater



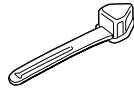
Aluminum washer



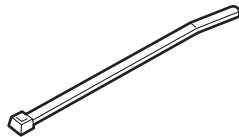
Heater harness



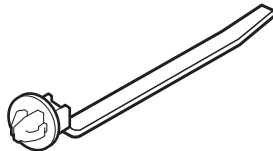
Protective cap



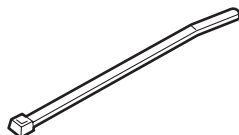
15 Black wire ties



3 Wire ties with clip
(1 not used)



5 White wire ties



TOOLS AND SUPPLIES REQUIRED

Phillips screwdriver

Flat-tip screwdriver

Ratchet

10 mm and 24 mm Sockets

Torque wrench

Diagonal cutters

Heavy gloves

Drain pan

Tape measure

White marker

Coolant (Honda All-Season Antifreeze/Coolant Type 2)

Blanket

Drill

3 mm and 7 mm Drill bits

10 mm Hex wrench

Pushpin

Fender cover

INSTALLATION

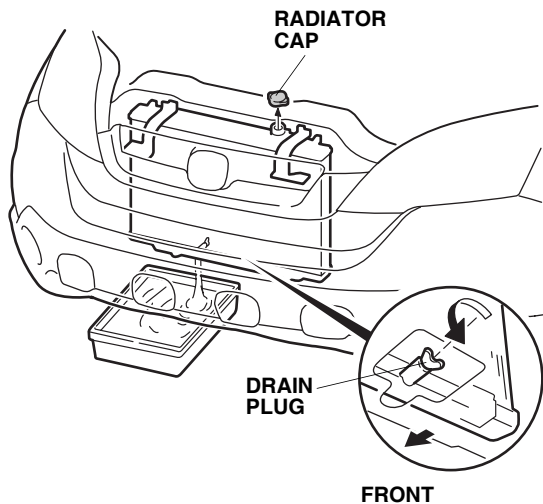
NOTE:

- Always use Honda All-Season Antifreeze/Coolant Type 2. Using a non-Honda coolant can result in corrosion, causing the cooling system to malfunction or fail.
- To avoid burning out the element, do not operate the engine block heater before it is installed in the vehicle and before you add coolant.

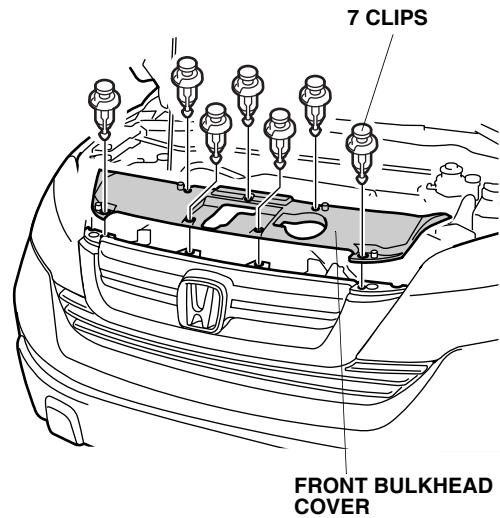
Customer Information: The information in this installation instruction is intended for use only by skilled technicians who have the proper tools, equipment, and training to correctly and safely add equipment to your vehicle. These procedures should not be attempted by “do-it-yourselfers.”

1. Make sure you have the anti-theft codes for the radio and navigation system (if equipped), then write down the radio presets.
2. Open the hood, and allow the engine and all cooling system components to cool down.
3. Place a clean drain pan under the radiator drain plug, then remove the drain plug from the bottom of the radiator to drain the coolant. Remove the radiator cap to increase the flow.

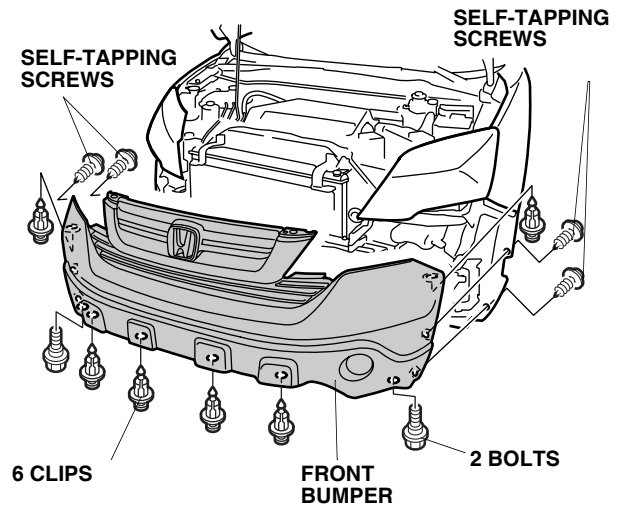
NOTICE Radiator coolant will damage paint. Quickly rinse any spilled coolant from painted surfaces.



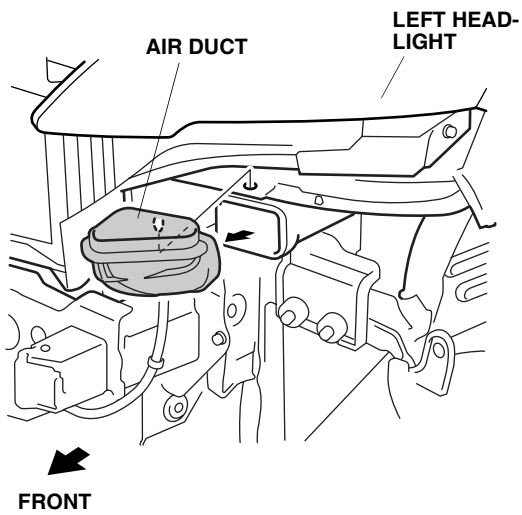
4. Remove the front bulkhead cover (seven clips).



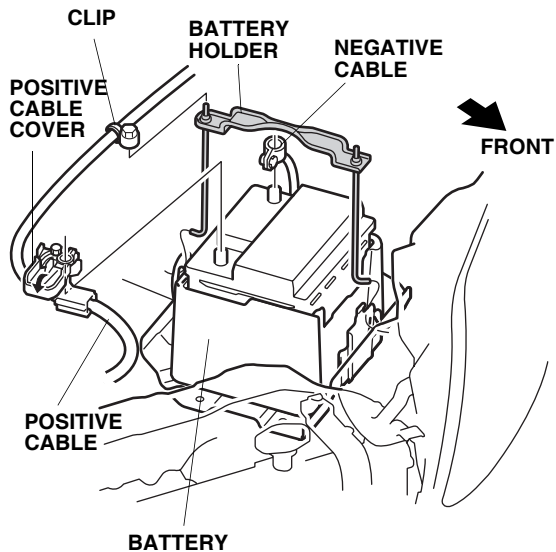
5. Remove the front bumper (four self-tapping screws, six clips, and two bolts).
- Have an assistant help you when removing and installing the front bumper.
 - Place the front bumper on a blanket to prevent damage.



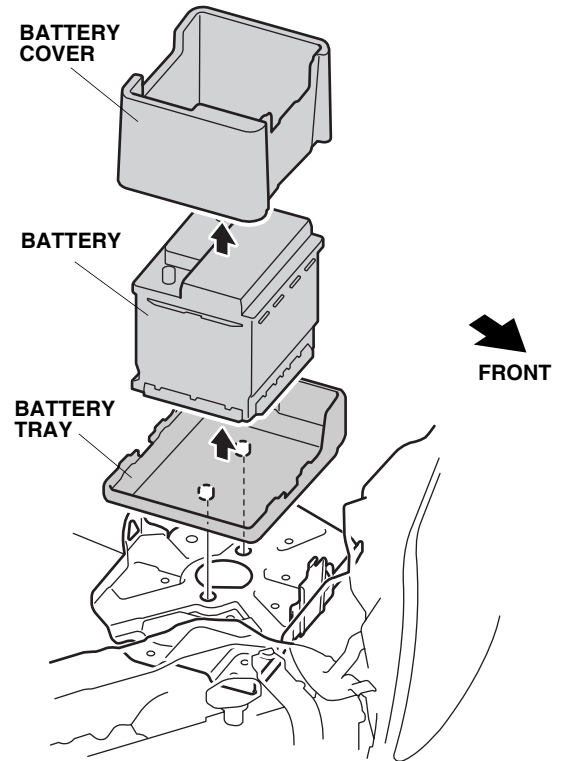
6. Remove the air duct under the left headlight.



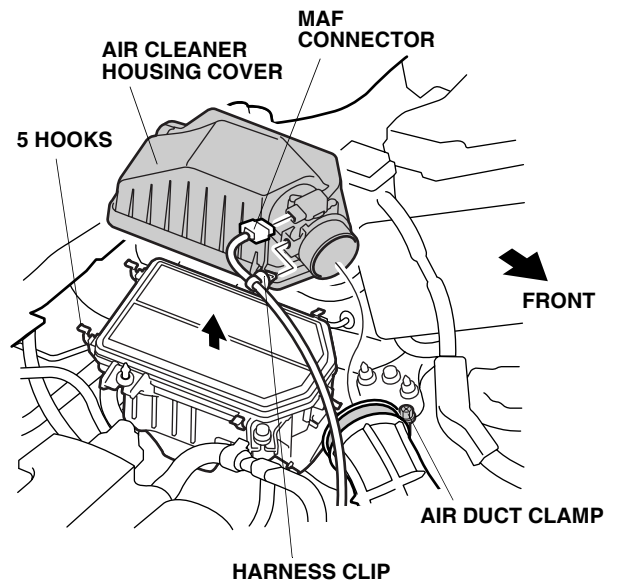
7. Disconnect the negative (-) cable from the battery, open the positive cable cover, and disconnect the positive (+) cable and clip from the battery. Unfasten the two battery holder nuts, and remove the battery holder.



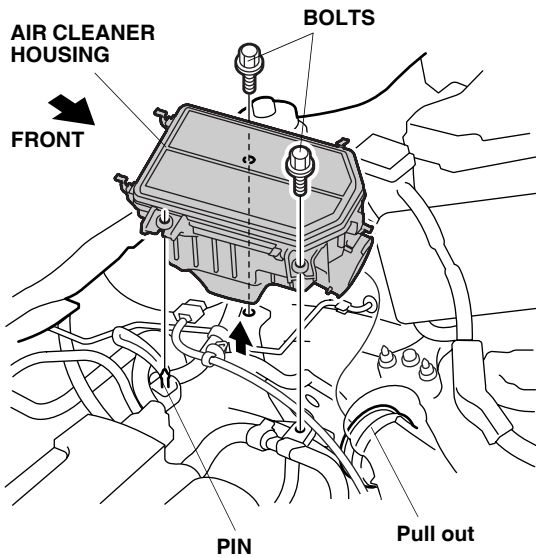
8. Remove the battery cover, battery, and battery tray.



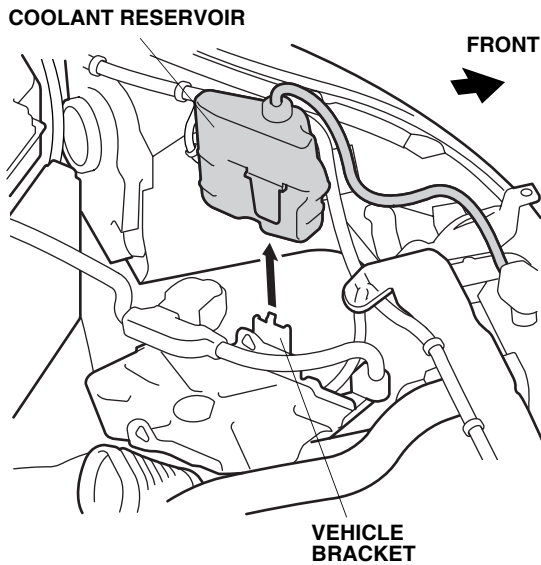
9. Loosen the air duct clamp. Remove the air cleaner housing cover (MAF connector, harness clip, and five hooks).



- Remove the air cleaner housing (two bolts and one pin).

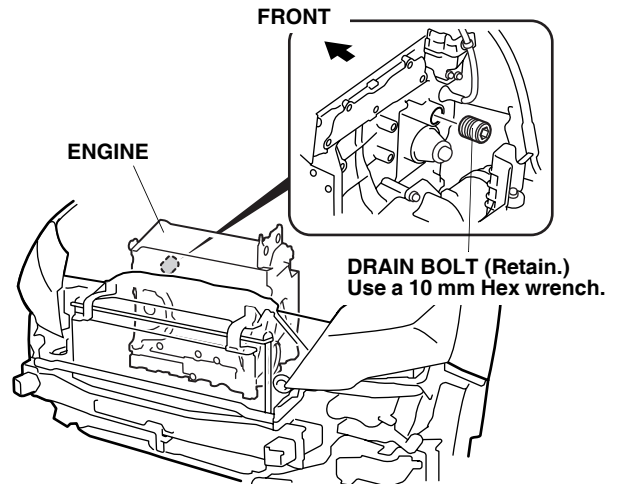


- Slide the coolant reservoir up, and remove it from the vehicle bracket.

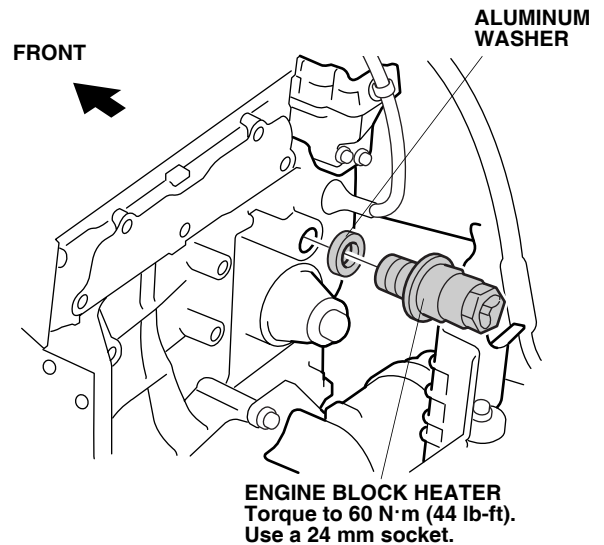


- Locate and remove the engine block drain bolt. Coolant remaining in the engine jackets flows out of the bolt hole when the bolt is removed.

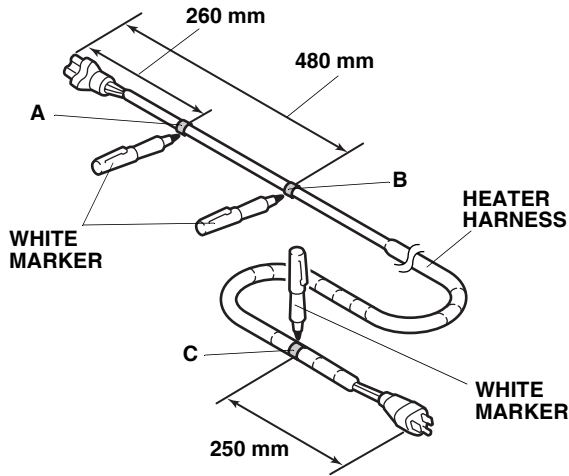
NOTE: Retain the bolt in case the block heater is removed. (A new washer should be used when the bolt is installed.)



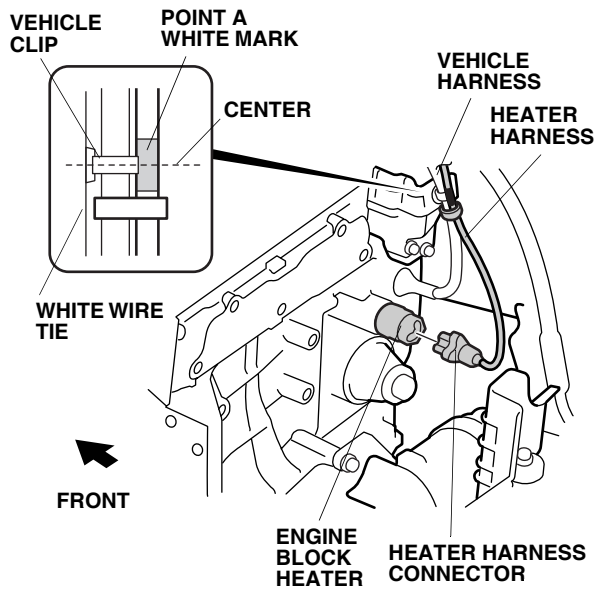
- Install the new aluminum washer and the engine block heater into the bolt hole using a 24 mm socket and a torque wrench. Torque the engine block heater to 60 N·m (44 lb-ft).



14. Using a tape measure and a white marker, measure the heater harness and mark it at the A, B, and C points.

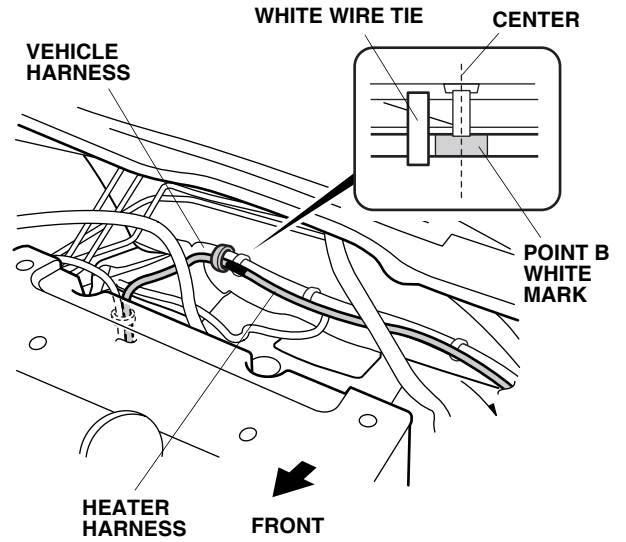


15. Plug the heater harness into the engine block heater.

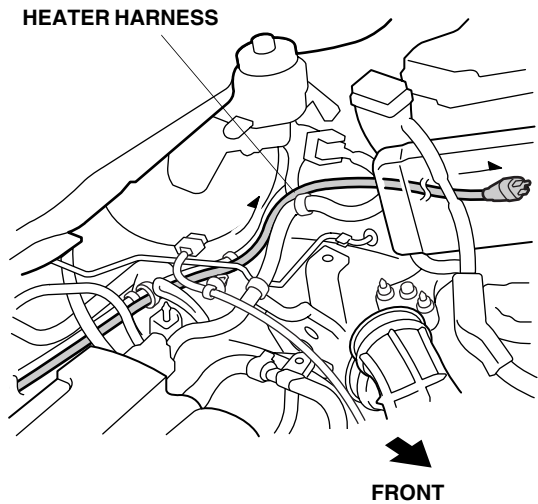


16. Using one white wire tie, secure the heater harness to the vehicle harness at the point A mark on the harness.

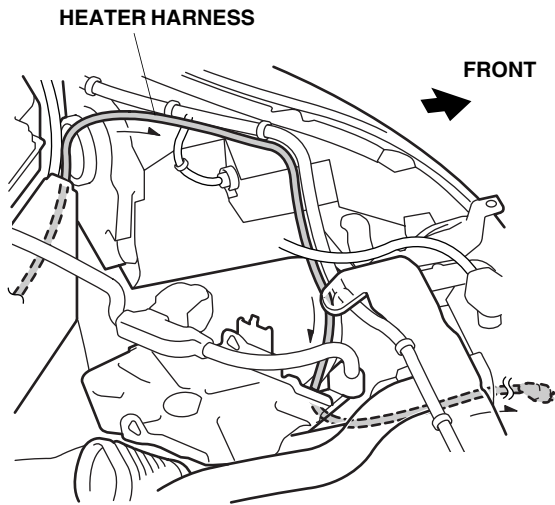
17. Using one white wire tie, secure the heater harness to the vehicle harness at the point B mark on the harness.



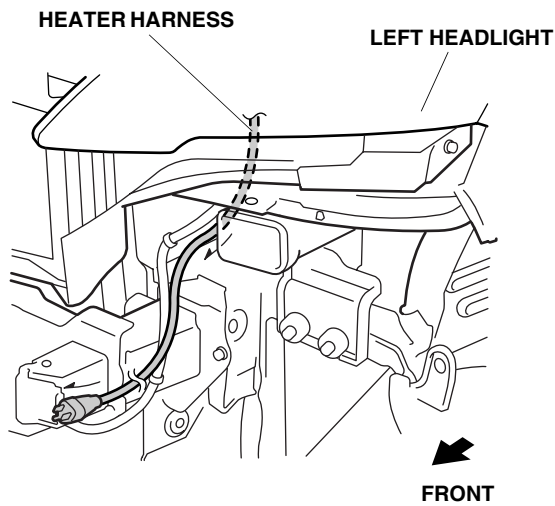
18. Route the heater harness forward as shown.



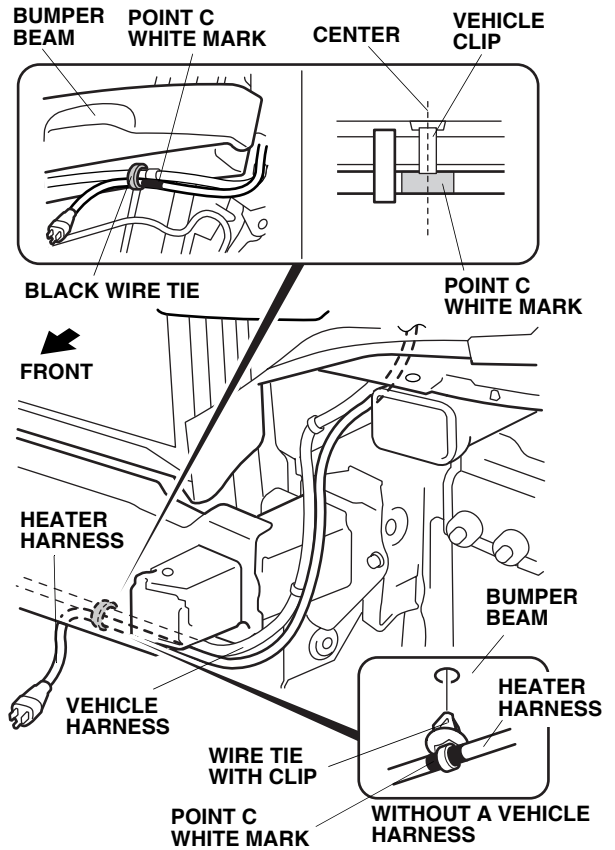
19. Route the heater harness through the engine compartment as shown.



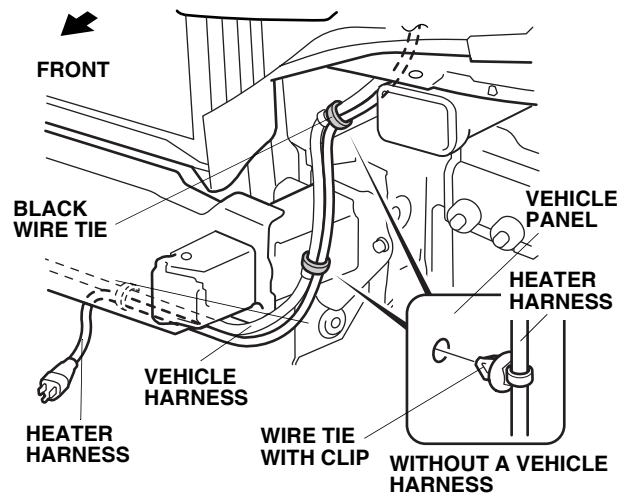
20. Route the heater harness through the front bulkhead as shown.



21. Continue routing the engine block harness under the bumper beam. Using one black wire tie, secure the heater harness to the vehicle harness at the point C mark on the harness.

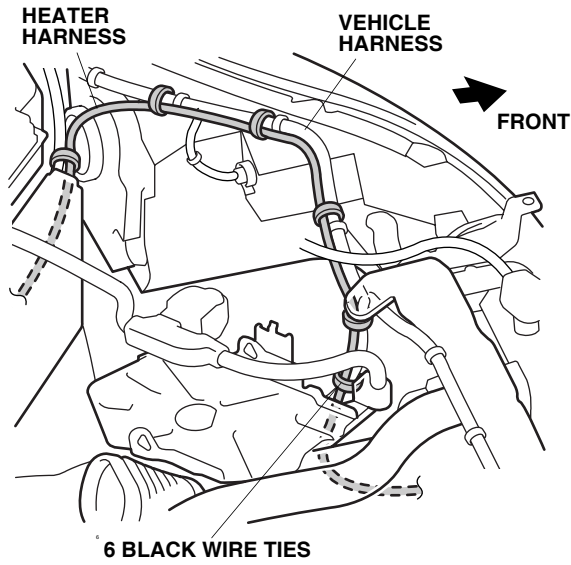


22. Secure the heater harness to the vehicle harness using two black wire ties as shown.

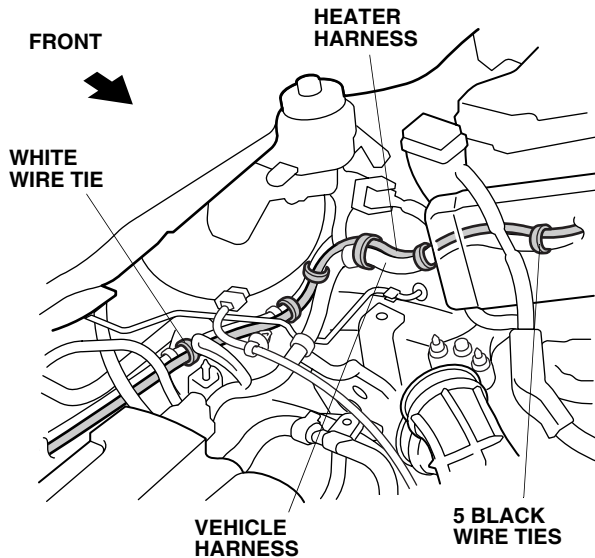


23. If the vehicle is not equipped with a vehicle harness, secure the heater harness to the vehicle panel using two wire ties with clip as shown.

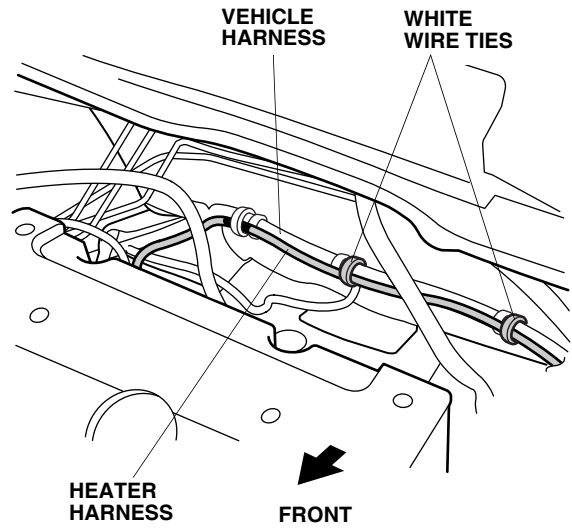
24. Secure the heater harness to the vehicle harness using six black wire ties in the areas shown.



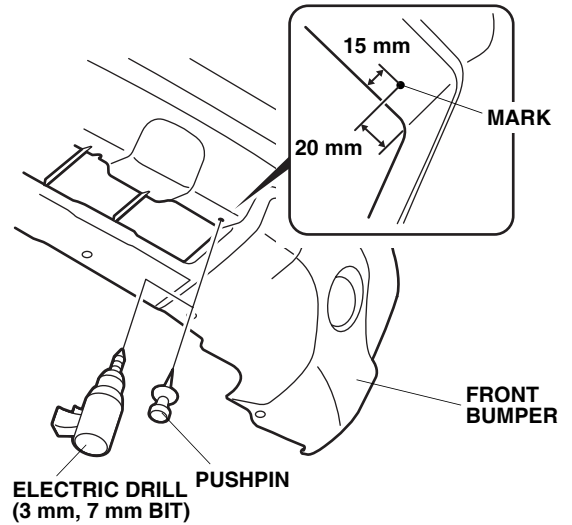
25. Secure the heater harness to the vehicle harness using one white wire tie and five black wire ties in the areas shown.



26. Secure the heater harness to the vehicle harness using two white wire ties in the areas shown.

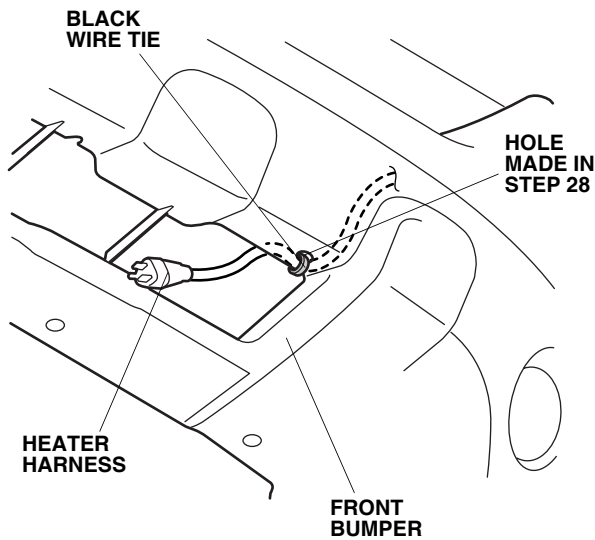


27. Using a pushpin, mark the front bumper at the location shown.

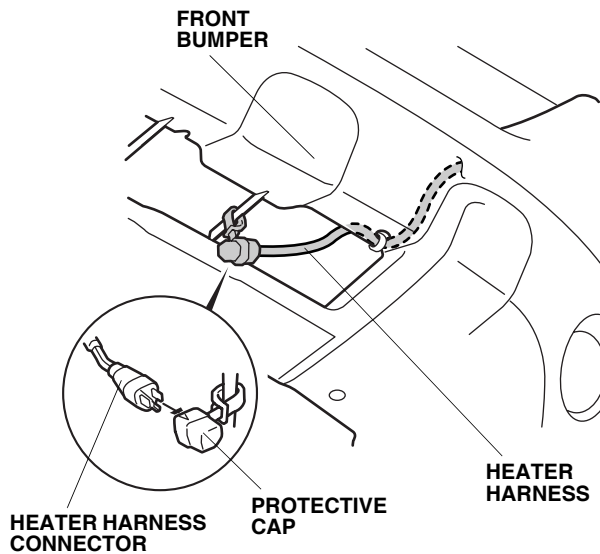


28. While wearing eye protection, drill a 7 mm hole at the marked location. First drill with a 3 mm drill bit, and finish with a 7 mm drill bit.
29. Reinstall the bumper.

30. Using one black wire tie, secure the heater harness to the hole you drilled in the front bumper.



31. Install the protective cap on the heater harness connector.



32. Reinstall all removed parts.
33. Reinstall the radiator drain plug.
34. Fill the system with the recommended coolant. Follow the instructions described in the service manual to fill and bleed the cooling system.
35. Check the coolant reservoir for the correct level of coolant, and check the cooling system for signs of leakage. Repair as necessary.
36. Check that the heater harness is routed properly and all connectors are plugged in.
37. Put the drain bolt (removed in step 12) in the glove box.
38. Reconnect the negative cable to the battery.
39. Enter the customer's radio and navigation anti-theft codes (if equipped). Reset the radio station presets.
40. Reset the clock.