



INSTALLATION INSTRUCTIONS

Accessory

REAR SPLASH GUARDS
P/N 08P09-SJC-100

Application

2008 RIDGELINE

Publications No.

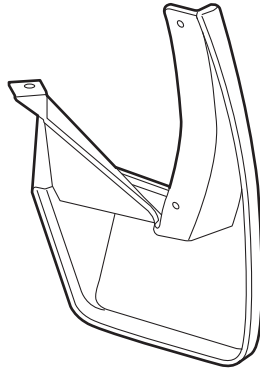
All 36638

Issue Date

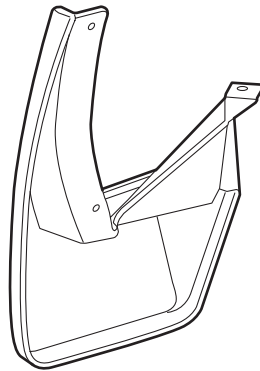
JUL 2007

PARTS LIST

Left rear splash guard



Right rear splash guard



2 Clips



TOOLS REQUIRED

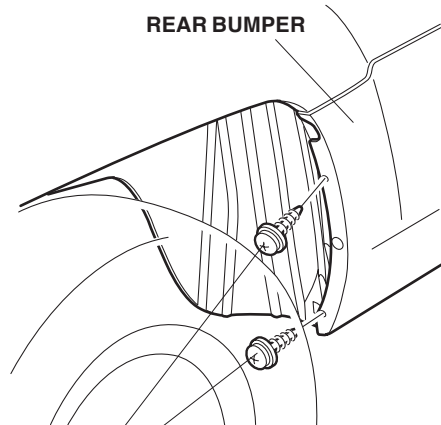
Stubby Phillips screwdriver

Flat-tip screwdriver

INSTALLATION

NOTE:

- These instructions show the left side splash guard being installed. The same procedure applies to installing the right side splash guard.
 - Clean the area to be covered, and wax it with a high-quality paste wax.
1. Remove the two self-tapping screws from the rear bumper.

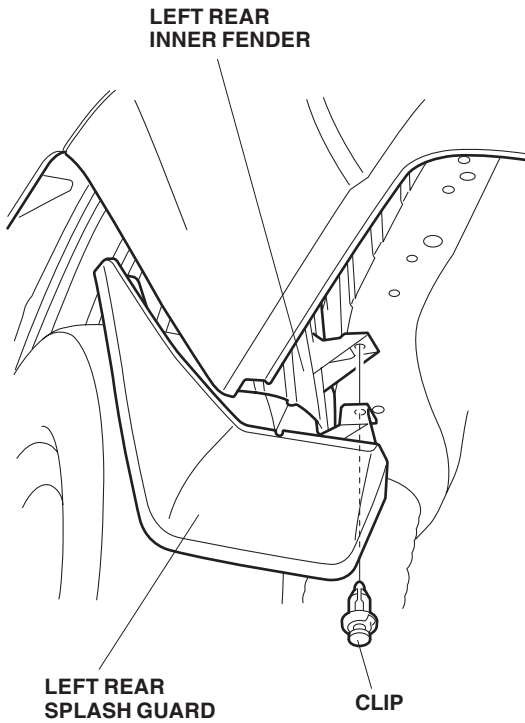


**SELF-TAPPING
SCREWS (Reuse.)**

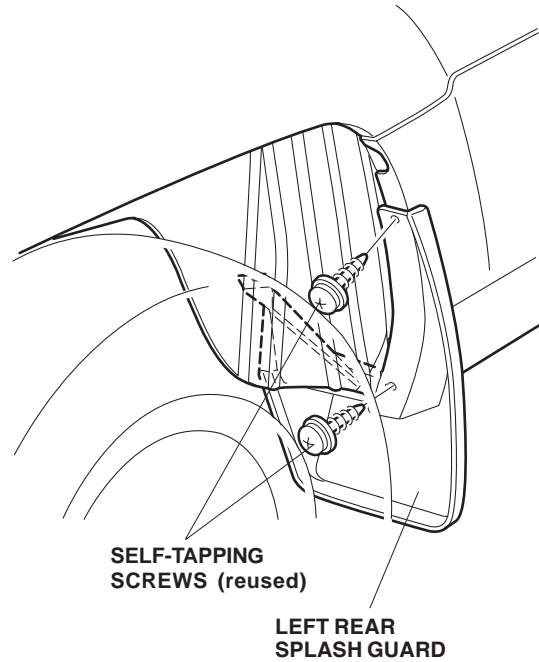
2. Remove and discard the clip from the rear of the left rear inner fender.



3. Position the left rear splash guard on the left rear inner fender and install the clip from the kit.



4. While holding the rear splash guard against the bumper, install the splash guard with two self-tapping screws.



5. Repeat steps 1 thru 4 to install the right rear splash guard on the right side of the vehicle.