



INSTALLATION INSTRUCTIONS

Accessory
ENGINE BLOCK HEATER (L4)
P/N 08T44-TA0-100

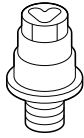
Application
2009 ACCORD
2- AND 4-DOOR

Publications No.
All 39939

Issue Date
JULY 2008

PARTS LIST

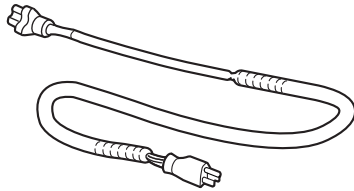
Engine block heater



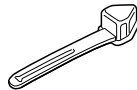
Aluminum washer



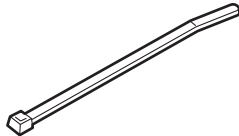
Heater harness



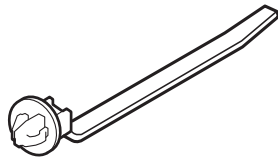
Protective cap



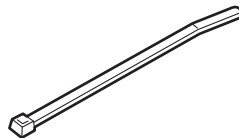
12 Black wire ties
(Some may not be used)



7 Wire ties with clips



5 White wire ties
(Not used)



Coolant concentration label



TOOLS AND SUPPLIES REQUIRED

Ratchet

10 mm, 12 mm, 19 mm, and 24 mm Sockets

10 mm Hex socket

100 mm Extension

Torque wrench

Diagonal cutters

Heavy gloves

Drain pan

Tape measure

White marker

Honda All Season Antifreeze/Coolant Type 2,
P/N OL999-9011A

Honda Coolant Concentrate, P/N OL999-9020

Fender cover

INSTALLATION

NOTE:

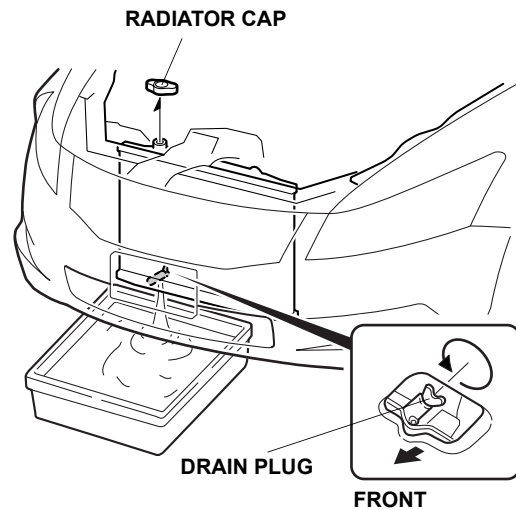
- Always use Honda All Season Antifreeze/Coolant Type 2 and Honda Coolant Concentrate. Using a non-Honda coolant can result in corrosion, causing the cooling system to malfunction or fail.
- To avoid burning out the element, do not operate the engine block heater before it is installed in the vehicle and before you add coolant.

Customer Information: The information in this installation instruction is intended for use only by skilled technicians who have the proper tools, equipment, and training to correctly and safely add equipment to your vehicle. These procedures should not be attempted by “do-it-yourselfers.”

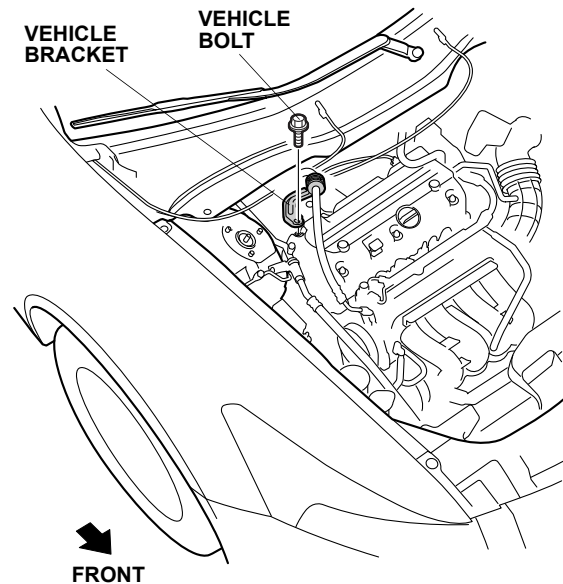
1. Make sure you have the anti-theft code for the audio system and the navigation system (if equipped).
2. Disconnect the negative cable from the battery.
3. Allow the engine and all cooling system components to cool down.
4. Place a clean drain pan under the radiator drain plug, then remove the drain plug from the bottom of the radiator to drain the coolant. Remove the radiator cap to increase the flow.

NOTICE: Radiator coolant will damage paint. Quickly rinse any spilled coolant from painted surfaces.

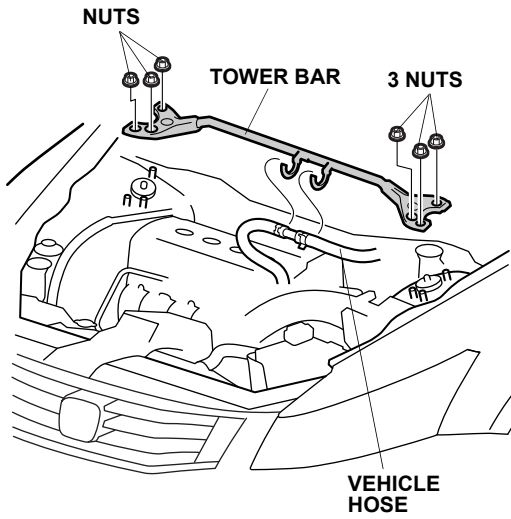
5. Remove the tower bar (six nuts and release the vehicle hose).



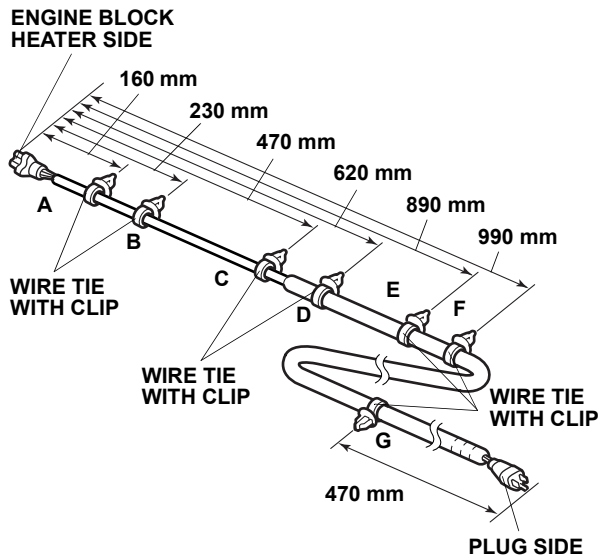
6. Remove the vehicle bracket (one vehicle bolt).



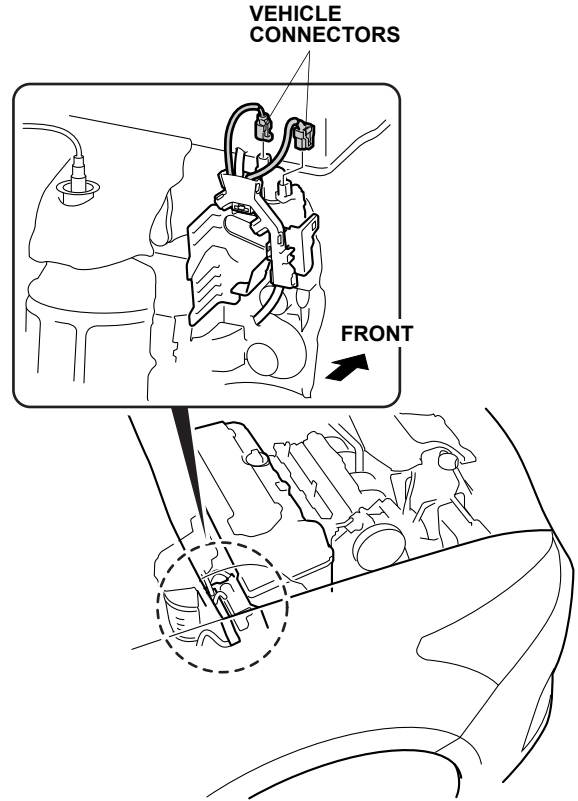
- Disconnect the vehicle connector from the ABS or VSA Modulator, and release the harness clip from the vehicle bracket.



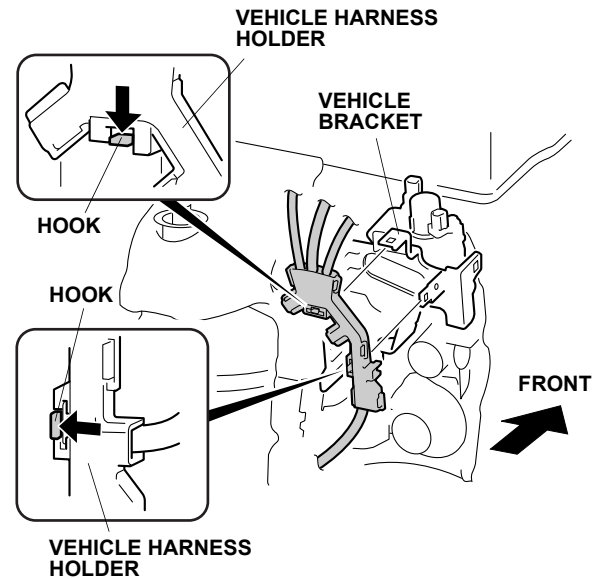
- Get the heater harness. Using a tape measure, install a wire tie with clip to the heater harness at each of the measurements shown.



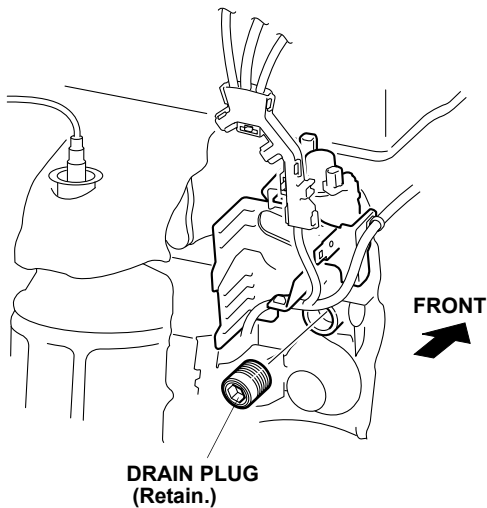
- Disconnect the two vehicle connectors.



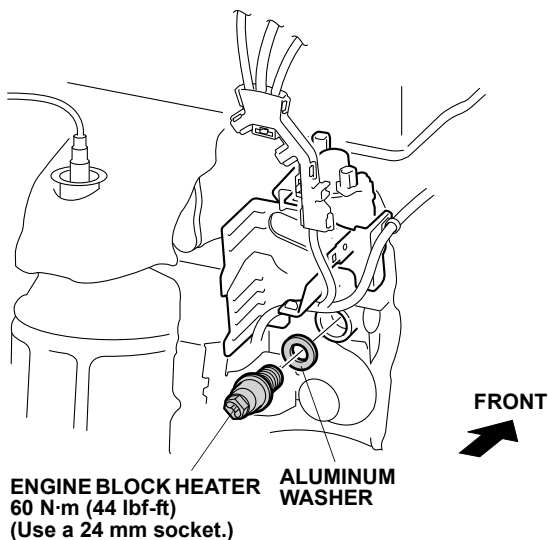
- Release the vehicle harness holder from the vehicle bracket (two hooks).



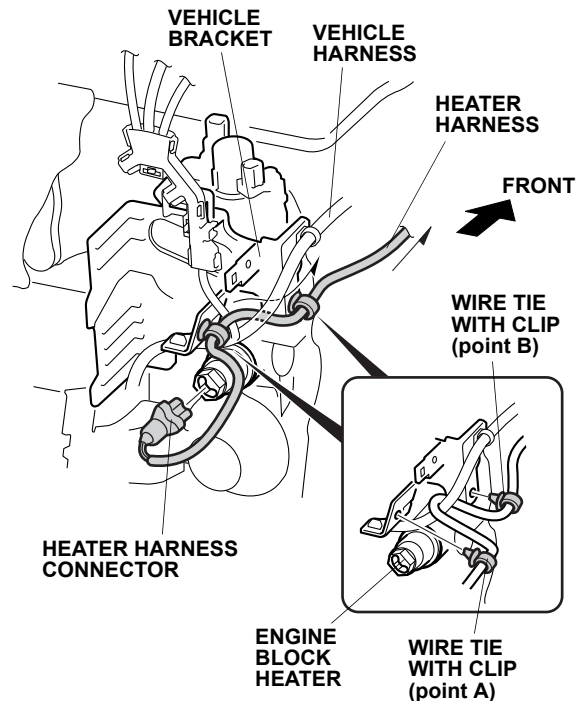
- Using a 10 mm hex socket, remove the drain plug from the engine block. Coolant remaining in the engine jackets will flow out the hole when the plug is removed. Retain the plug; it will be used if the engine block heater is removed.



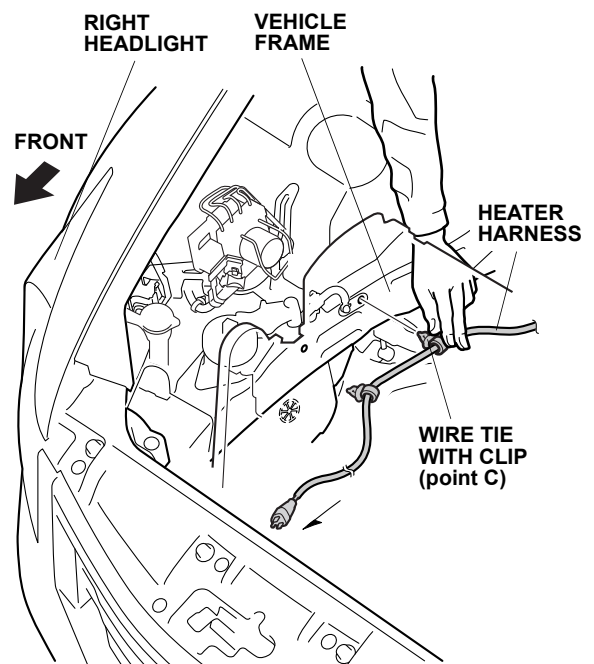
- Install the engine block heater with the aluminum washer into the engine block using a 24 mm socket and a 100 mm extension. Torque the engine block heater to 60 N·m (44 lb-ft). Using an extension longer than 100 mm will give you an incorrect torque.



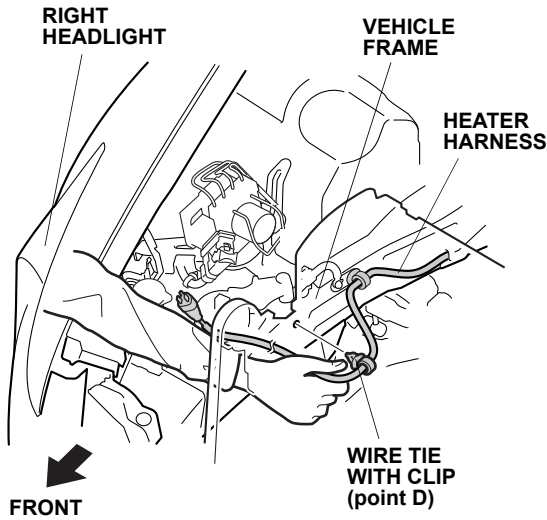
- Plug the connector end of the heater harness into the engine block heater. Route the heater harness as shown, and secure the two wire ties with clips (points A and B) to the vehicle bracket.



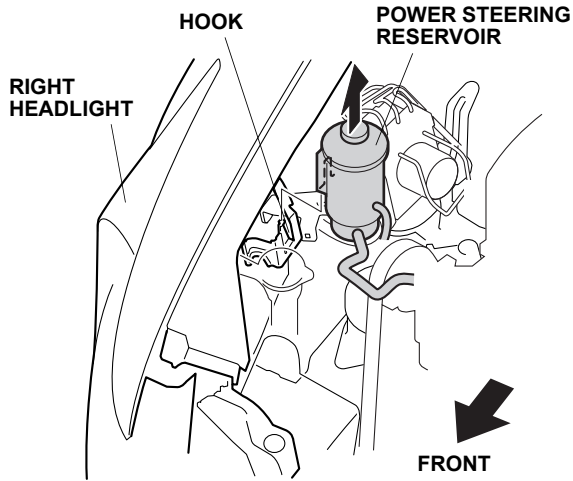
- Route the heater harness as shown, and secure the wire tie with clip (point C) to the vehicle frame.



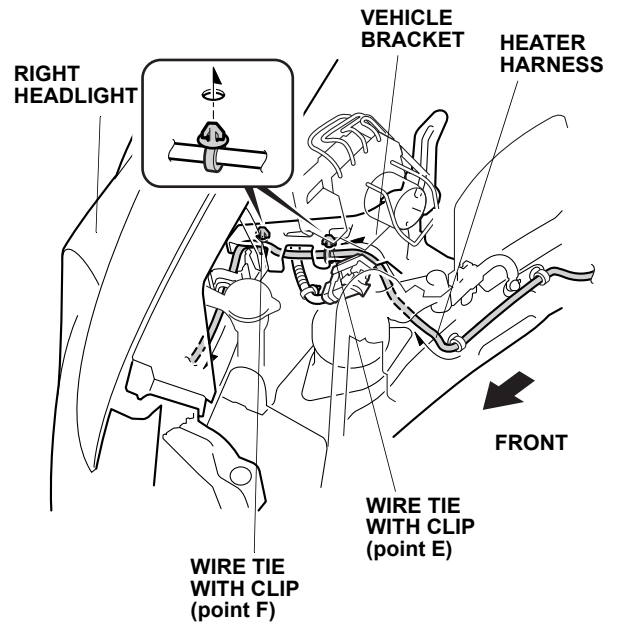
15. Route the heater harness as shown, and secure the wire tie with clip (point D) to the vehicle frame.



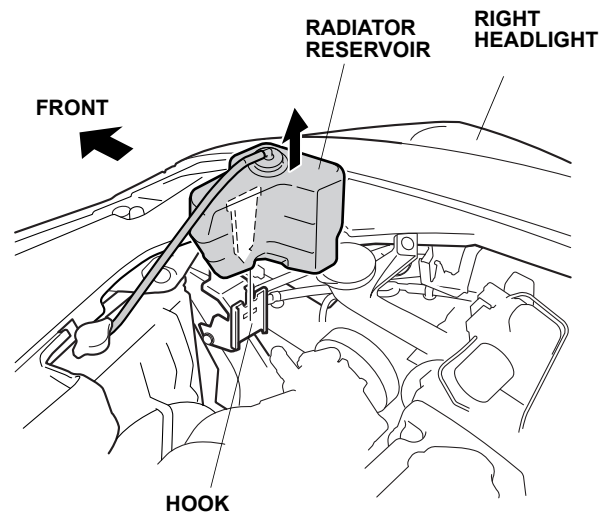
16. Release the power steering reservoir (one hook). To prevent oil leakage, be careful not to tilt the power steering reservoir.



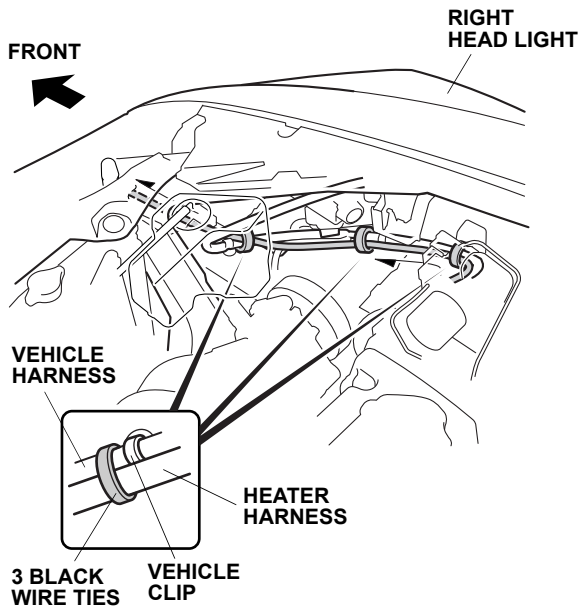
17. Route the heater harness as shown, and secure the two wire ties with clips (points E and F) to the vehicle bracket.



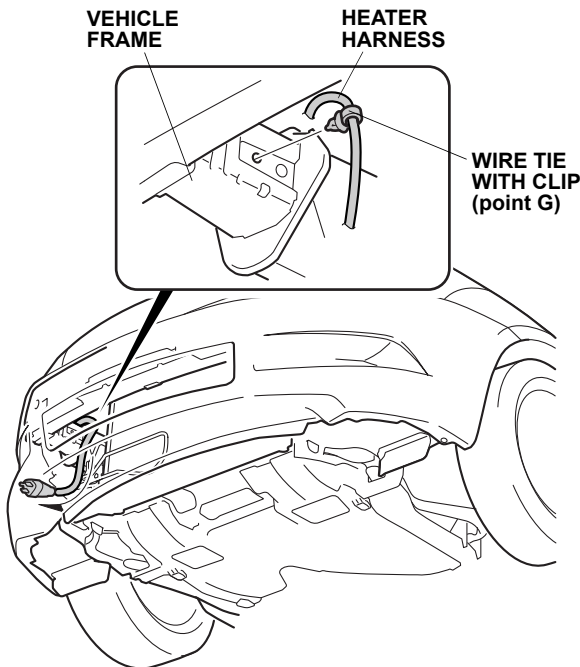
18. Release the radiator reservoir (one hook).



19. Route the heater harness as shown, and secure it to the vehicle harness with three black wire ties.

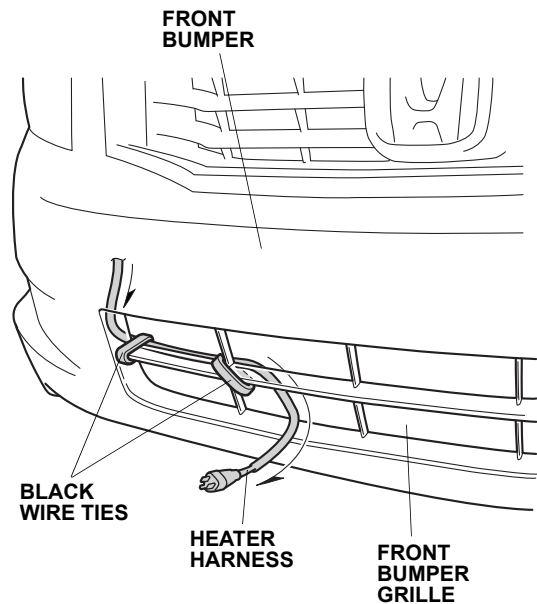


20. Route the heater harness as shown, and secure the wire tie with clip (points G) to the vehicle frame.

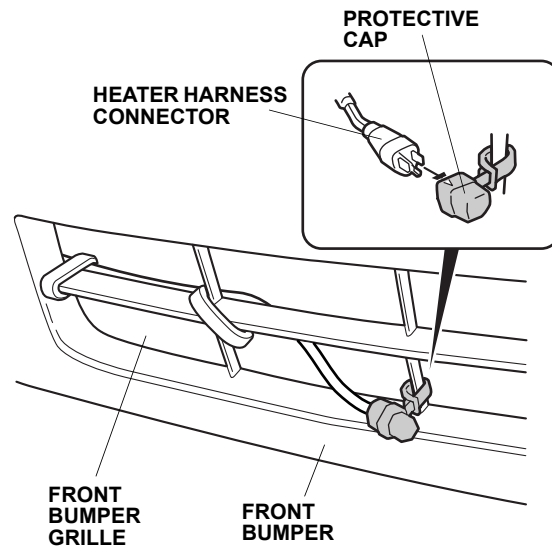


If the vehicle you are working on is a 4-DOOR, continue with step 21; 2-DOOR, go to step 23.

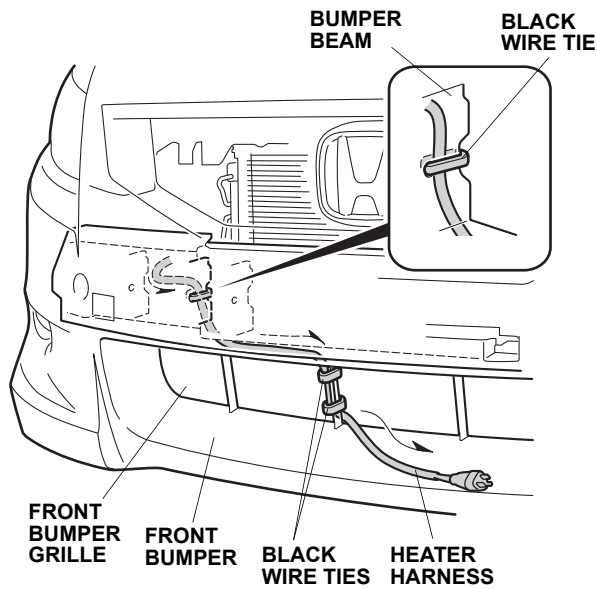
21. Route the heater harness inside the bumper, and secure it with the two black wire ties.



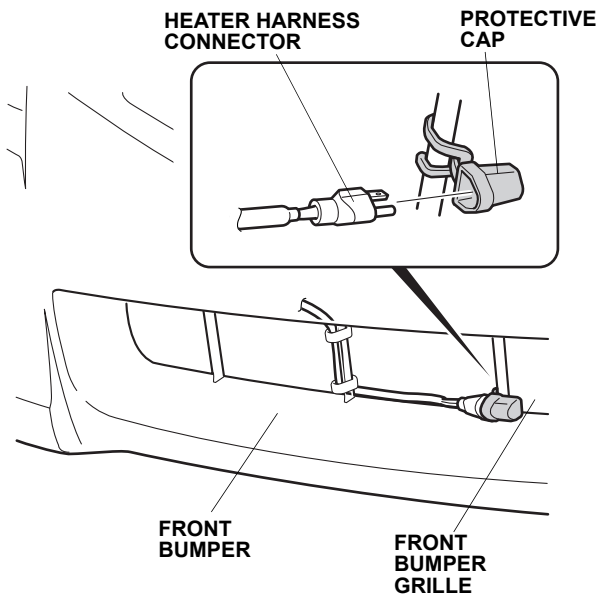
22. Attach the protective cap to the front bumper grille, and plug the connector of the heater harness into the protective cap. Go to step 25.



23. Route the heater harness inside the bumper, and secure it with the three black wire ties.

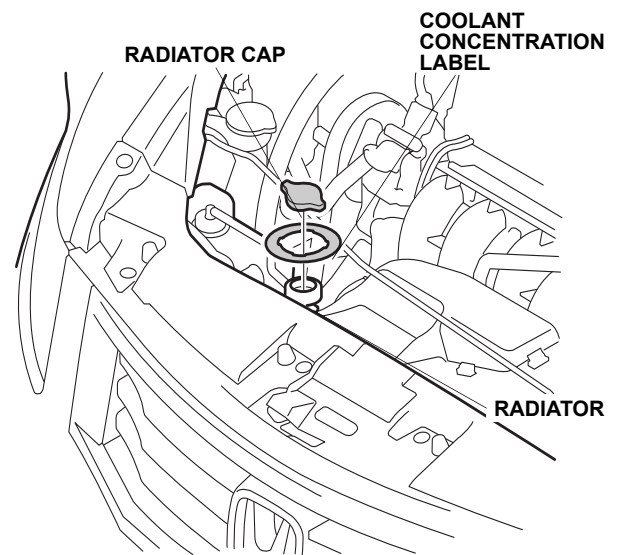


24. Attach the protective cap to the front bumper grille, and plug the connector of the heater harness into the protective cap.



25. Reinstall all removed parts except for the radiator cap.

26. Check that the heater harness is routed properly and all connectors are connected properly.
27. Reconnect the negative cable to the battery.
28. Reinstall the radiator drain plug.
29. Pour 1.6 liters of the 100% concentration coolant through the radiator filler port.
30. Pour the 50% concentration coolant up to the top of the radiator filler port.
31. Check the cooling system for proper bleeding, and check the coolant level according to the instructions described in the service manual.
32. Install the coolant concentration label to the radiator as shown.



33. Reinstall the radiator cap to the radiator.
34. Put the drain plug (removed in step 11) in the glove box.
35. Enter the anti-theft codes for the audio system and the navigation system (if equipped).
36. Reset the clock on vehicles without navigation.