



INSTALLATION INSTRUCTIONS

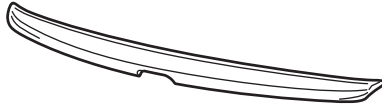
Accessory
TRUNK SPOILER (LOW)
P/N 08F10-TA0-100

Application
2010 ACCORD
4-DOOR

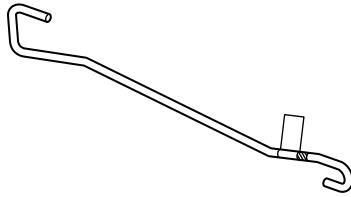
Publications No.
All 42274
Issue Date
AUG 2009

PARTS LIST

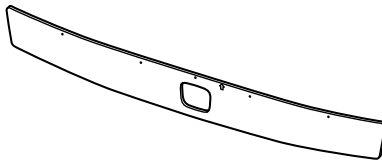
Trunk spoiler



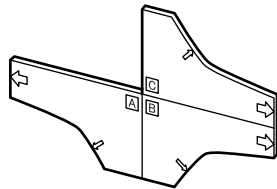
Right trunk spring (marked red)



Template 1



Template 2



5 Washer nuts



TOOLS AND SUPPLIES REQUIRED

- Clip remover
- Eye protection (face shield, safety goggles, etc.)
- Drill
- 3 mm and 8 mm Drill bits
- Drill stop
- File
- Center punch
- Touch-up paint
- Ratchet
- Socket
- Gloves
- Trunk spring tool:
P/N 07XAZ-S0K-0100
- Masking tape
- Felt-tip pen
- Shop towel
- Isopropyl alcohol
- Tape

INSTALLATION

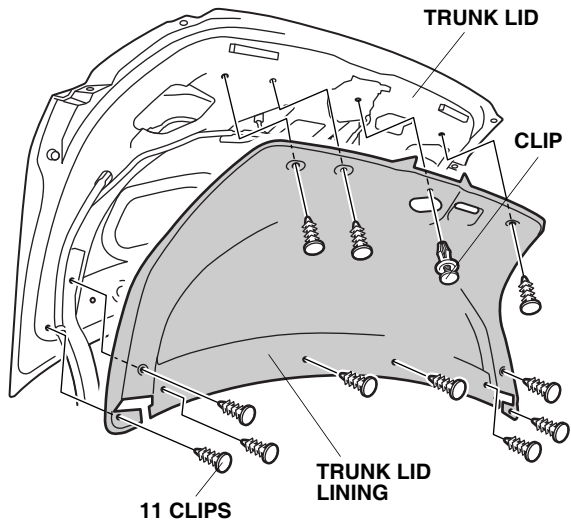
Customer Information: The information in this installation instruction is intended for use only by skilled technicians who have the proper tools, equipment, and training to correctly and safely add equipment to your vehicle. These procedures should not be attempted by “do-it-yourselfers.”

NOTE:

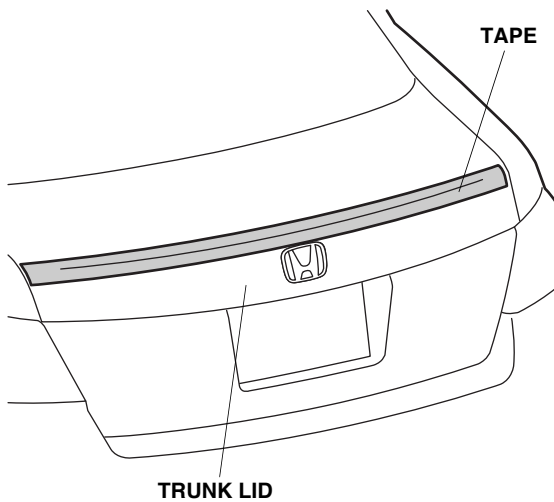
- Be careful not to damage the body paint finish.
- This trunk spoiler kit should be installed only if the ambient air temperature is 15°C (60°F) or above.
- Wash and wax the area to be covered with a high-quality paste wax.
- To allow the adhesive to cure, do not wash the vehicle for 24 hours.

Installing the Trunk Spoiler

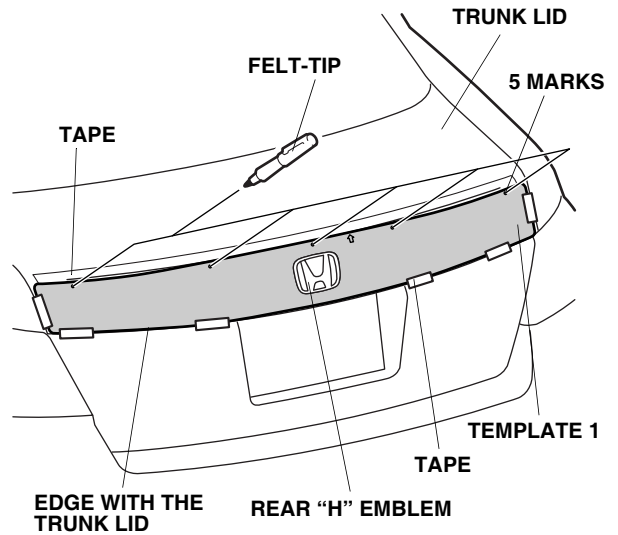
1. Open the trunk lid. Remove the trunk lid lining (twelve clips).



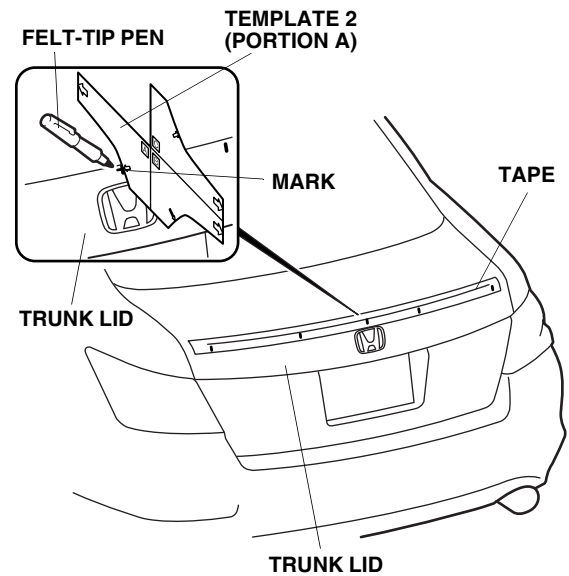
2. Attach the tape to the trunk lid as shown.



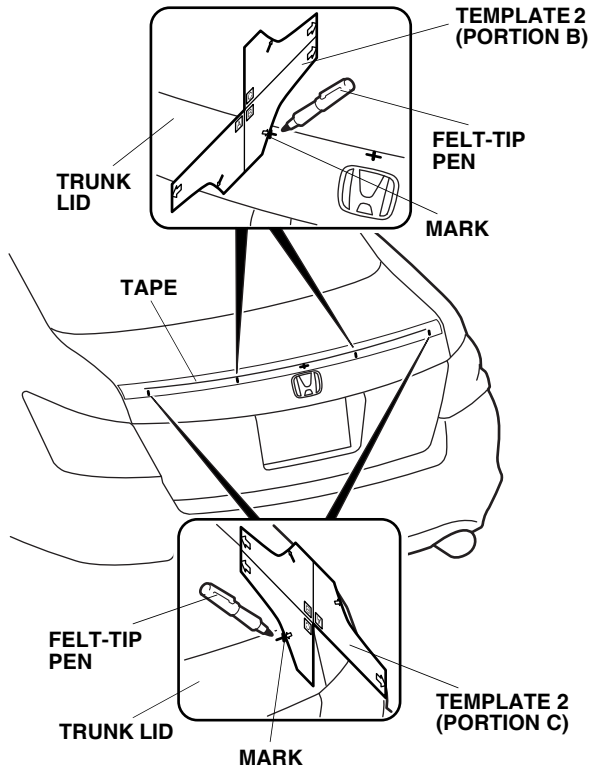
3. Close the trunk lid. Align template 1 with the rear "H" emblem and edge with the trunk lid. Tape template 1 to the trunk lid. Using a felt-tip pen, mark on the tape as shown. Remove template 1.



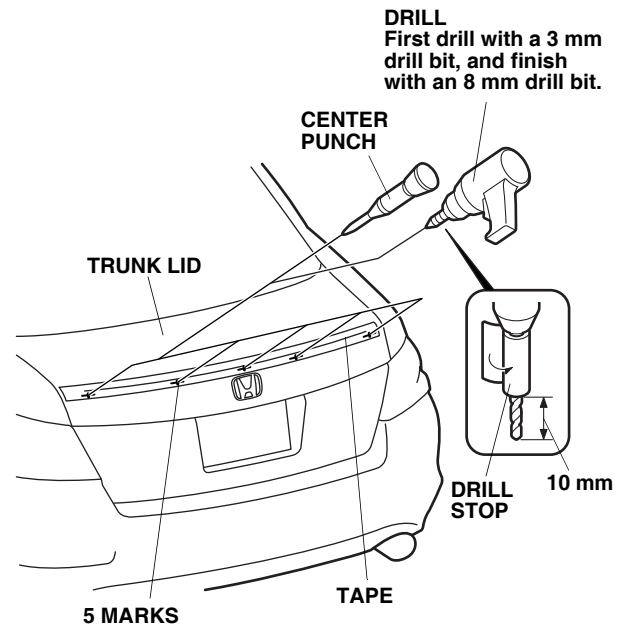
4. Position template 2 (portion A) with the center mark on the tape. Using a felt-tip pen, mark the tape at the notch as shown.



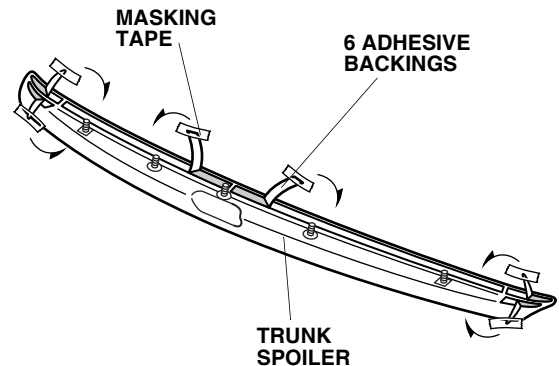
5. Position template 2 (portion B) with marks on the tape as shown. Using a felt-tip pen, mark the tape at the notches as shown.
6. Position template 2 (portion C) with marks on the tape as shown. Using a felt-tip pen, mark the tape at the notches as shown.



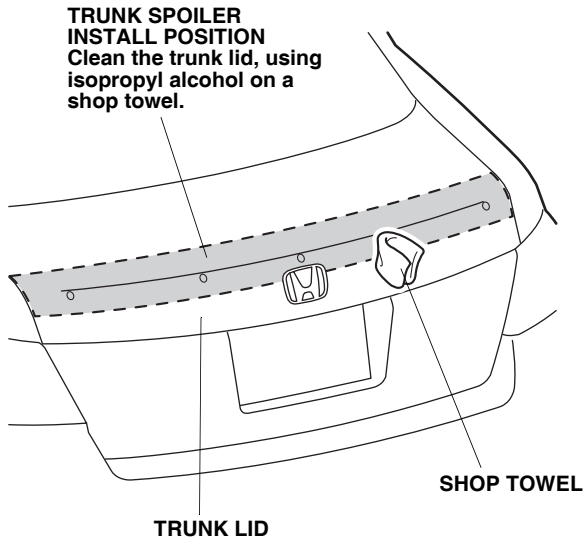
7. Center-punch the five marks on the tape. While wearing eye protection, first drill with a 3 mm drill bit and finish with a 8 mm drill bit. Remove the tape.
 - To prevent drilling through the trunk lid, wrap the drill stop around the drill bit 10 mm away from the tip.
 - Remove all burrs and metal shavings, and apply touch-up paint to the edge of the hole you drilled.
 - Take care not to damage the wire harnesses when drilling the holes.



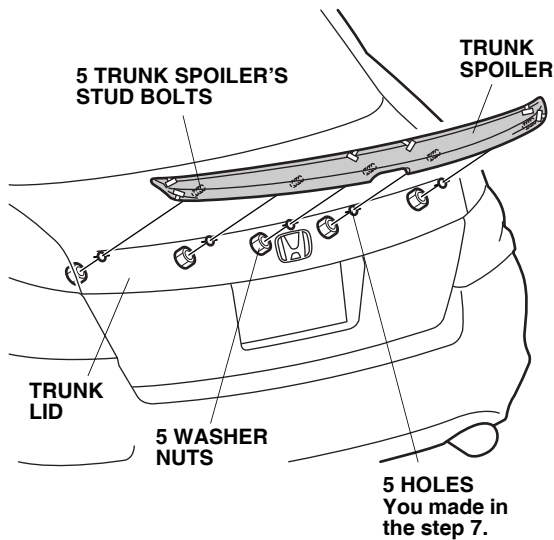
8. Attach the pieces of masking tape to the ends of the adhesive backing on the trunk spoiler. Peel back the ends of the six adhesive backings and temporarily attach them to the front side of the trunk spoiler.



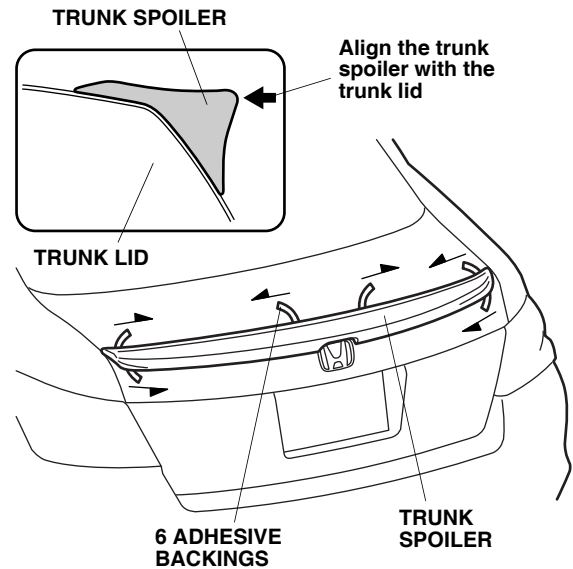
- Clean the trunk lid surface where the trunk spoiler will be installed using isopropyl alcohol on a shop towel.



- Insert the trunk spoiler's stud bolts into the 8 mm holes you made in the step 7. Install the five washer nuts to the trunk spoiler's stud bolts. Do not tighten the five washer nuts yet.

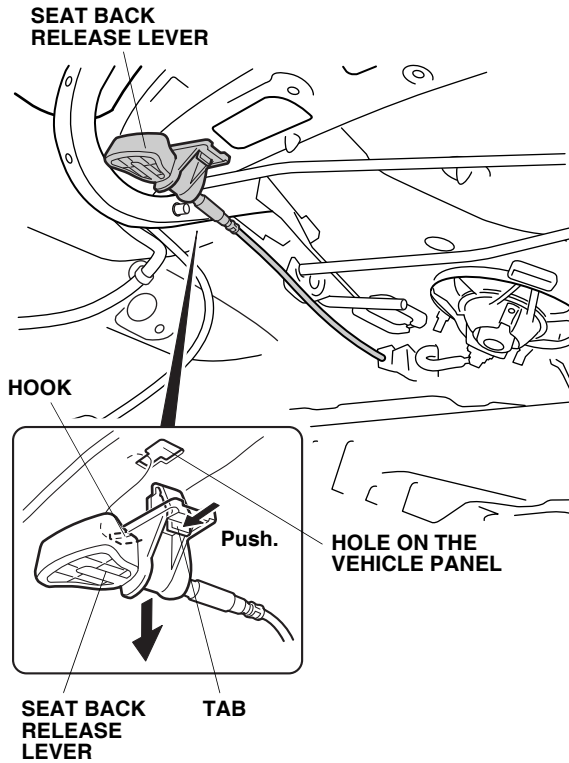


- While aligning the trunk spoiler against the trunk lid, carefully remove the adhesive backings from both sides. Hold the spoiler firmly against the trunk lid with the palm of your hand.
- While holding pressure on the trunk spoiler, carefully remove the front adhesive backing. Hold the spoiler firmly against the trunk lid with the palm of your hand and torque the five washer nuts to 8.8 N·m (0.9 kgf/m, 65 lb·ft).
- Again, hold the trunk spoiler firmly against the trunk lid over the adhesive tapes. Press the adhesive areas of the trunk spoiler firmly against the trunk lid with the palm of your hand for 30 seconds.

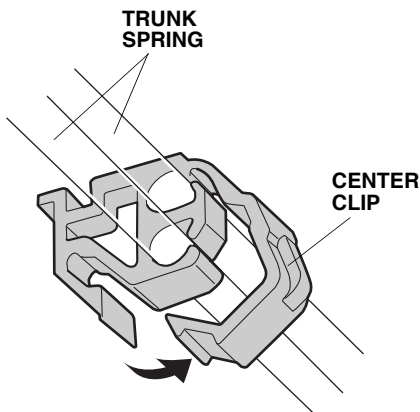


Installing the Trunk Springs

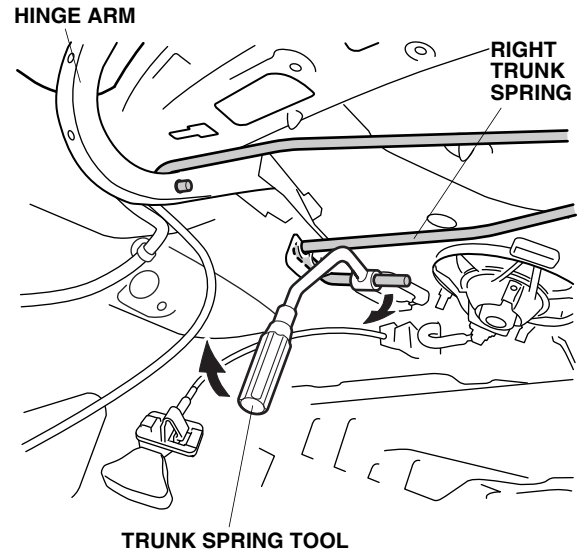
14. Push the tab and pull down the seat back release lever to release the hook.
15. Slide the seat back release lever to the right side and remove the release lever from the hole on the vehicle panel.



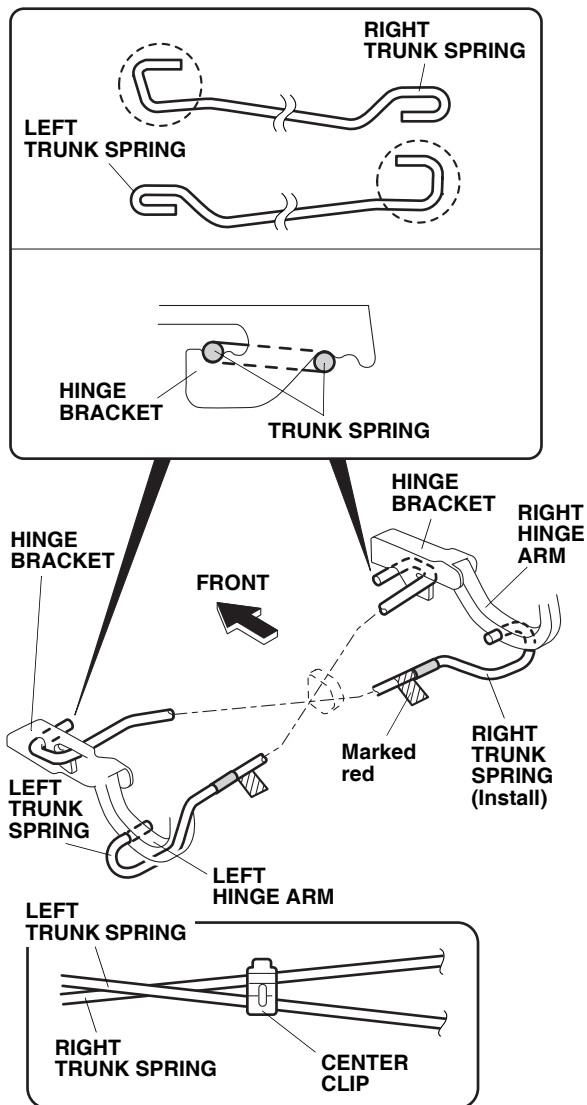
16. Open the trunk lid, and remove the center clip from the trunk springs.



17. With an assistant holding the trunk lid open, remove the old right trunk spring from the trunk hinge arms using the trunk spring tool. Wear gloves to protect your hands, and pull the trunk spring tool slowly and carefully toward you. Do not remove the old left trunk spring.



18. Install the right trunk spring in the reverse order of removal:
- Set the tool on the marked end of each trunk spring.
 - Install the red marked spring in the slot in the right (passenger's) side trunk hinge arm and to the hinge bracket on the left (driver's) side of the car.
 - Wearing gloves, rotate the tool as you pull it toward you.
 - Set the springs in the first notch (original position) of the hinge brackets.



19. Install the trunk lid lining in its original position.
20. Reinstall the seat back release lever.
21. Open the trunk lid, and make sure the trunk lid stays open on its own. If it will not stay open, adjust the trunk springs to the second position.