



# INSTALLATION INSTRUCTIONS

Accessory  
**TRAILER HITCH**

Application  
**2010 CR-V**

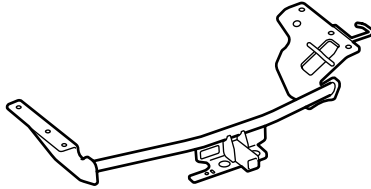
Publications No.  
**All 42622-43152**

Issue Date  
**DEC 2009**

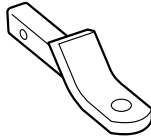
## PARTS LIST

**Trailer Hitch Kit  
P/N 08L92-SWA-101**

Trailer hitch



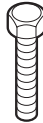
Ball mount



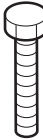
Center plate



6 Hex bolts, 10 x 40 mm



Hex bolt, 12 x 45 mm



Hex nut, 12 mm



6 Plain washers, 10 mm



Plain washer, 12 mm



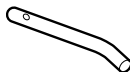
6 Spring washers, 10 mm



Spring washer, 12 mm



Hitch pin



Hitch pin clip

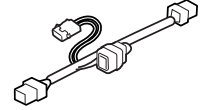


Receiver cover

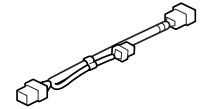


**Trailer Hitch Harness Kit  
P/N 08L91-SWA-100**

Trailer fuse harness



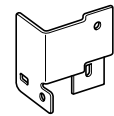
Control unit harness



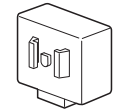
Trailer socket harness



Control unit bracket



Control unit



2 Flange bolts, 6 x 40 mm



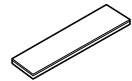
Flange bolt, 6 x 16 mm



2 Flange nuts, 6 mm



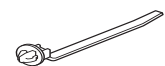
2 Harness tapes



8 Wire ties



3 Wire ties with clip



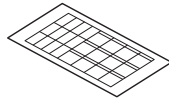
Connector clip



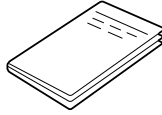
Fuse (5A)



Fuse label



Accessory User's Information Manual



## TOOLS AND SUPPLIES REQUIRED

Phillips screwdriver

Flat-tip screwdriver

Ratchet

5 mm, 6 mm, 10 mm, 12 mm, and 19 mm Sockets

Plastic trim tool (T/N SILTRIMTL10)

Diagonal cutters

Torque wrench

Drill

3 mm Drill bit

20 mm Hole saw

Blanket

Eye protection (safety goggles, face shield, etc.)

Isopropyl alcohol

Shop towel

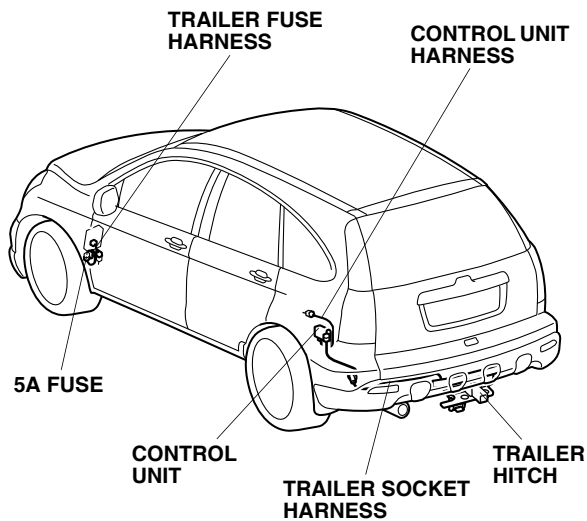
Airsaw (T/N AT192A)

Pushpin

File

10 mm Wrench

### *Illustration of the Trailer Hitch on the Vehicle*

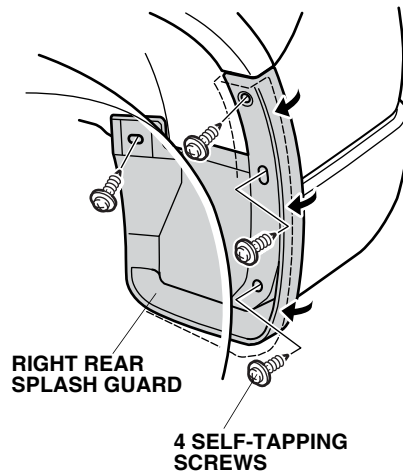


## INSTALLATION

**Customer Information:** The information in this installation instruction is intended for use only by skilled technicians who have the proper tools, equipment, and training to correctly and safely add equipment to your vehicle. These procedures should not be attempted by “do-it-yourselfers.”

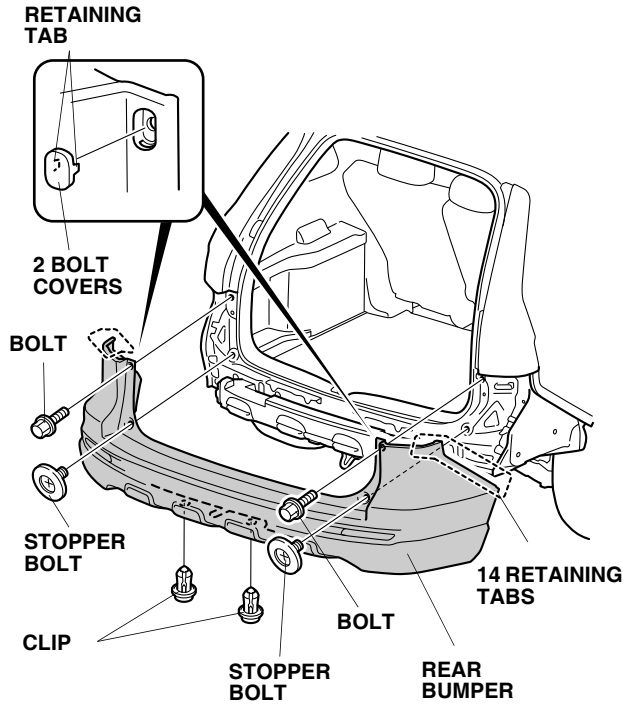
### NOTE:

- If you are also installing backup sensors, install them before you install the trailer hitch.
  - Do not damage the body paint finish.
1. Make sure you have the anti-theft code for the audio unit and navigation system if equipped, then write down the radio station presets.
  2. Disconnect the negative cable from the battery.
  3. Remove the left rear splash guard (four self tapping screws, and slide forward).

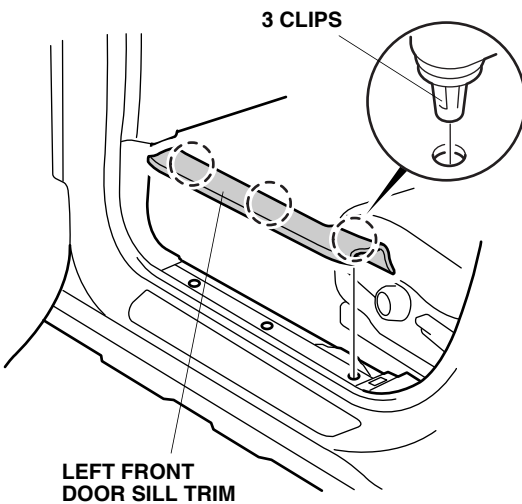


4. Remove the right splash guard (four screws and slide forward).

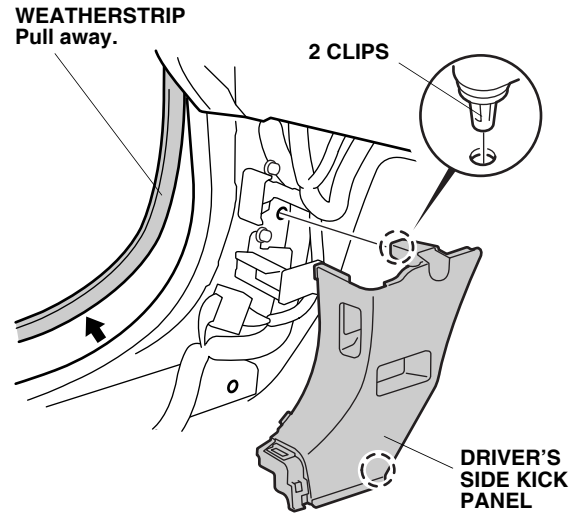
5. Remove the rear bumper:
  - Remove the two bolt covers (two tabs for each cover).
  - Remove the two bolts, two stopper bolts, two clips, and fourteen retaining tabs.
  - With the help of an assistant, remove the rear bumper. Place the rear bumper on a blanket to prevent damage.



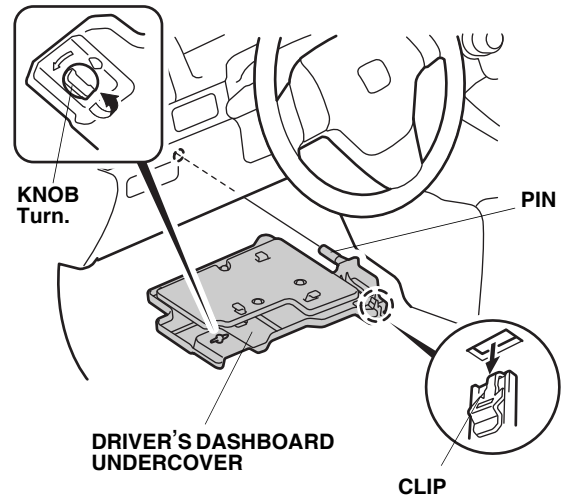
6. Remove the left front door sill trim (three clips).



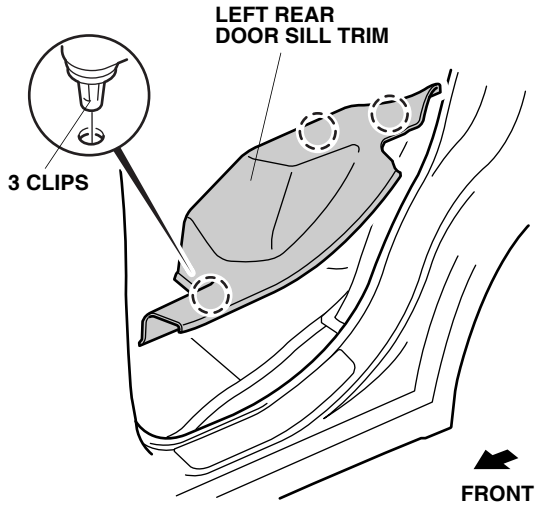
7. Pull away the weatherstrip from around the driver's side kick panel, and remove the driver's side kick panel (two clips).



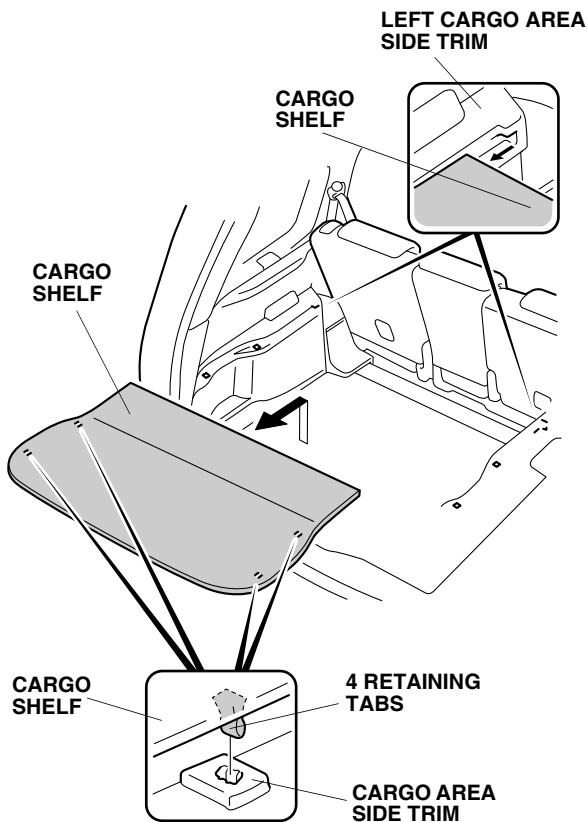
8. Remove the driver's dashboard undercover (turn the knob, one pin and one clip).



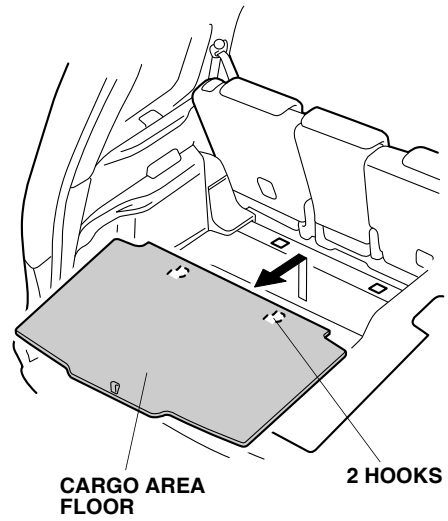
9. Fold the rear seat forward.



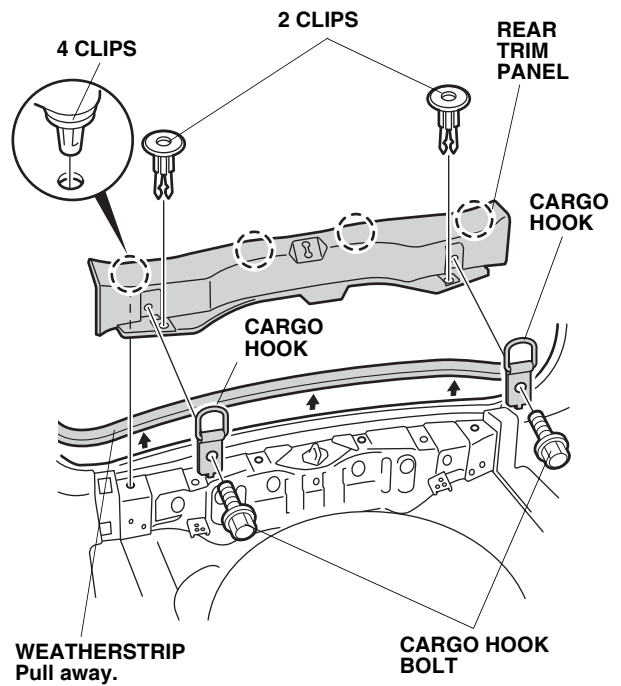
10. Remove the left rear door sill trim (three clips).  
 11. Remove the cargo shelf (four retaining tabs).



12. Remove the cargo area floor (two hooks).

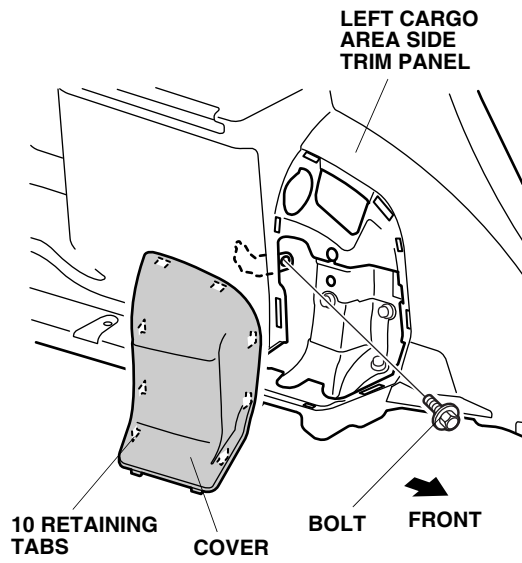


13. Remove the cargo hooks (one bolt for each hook).

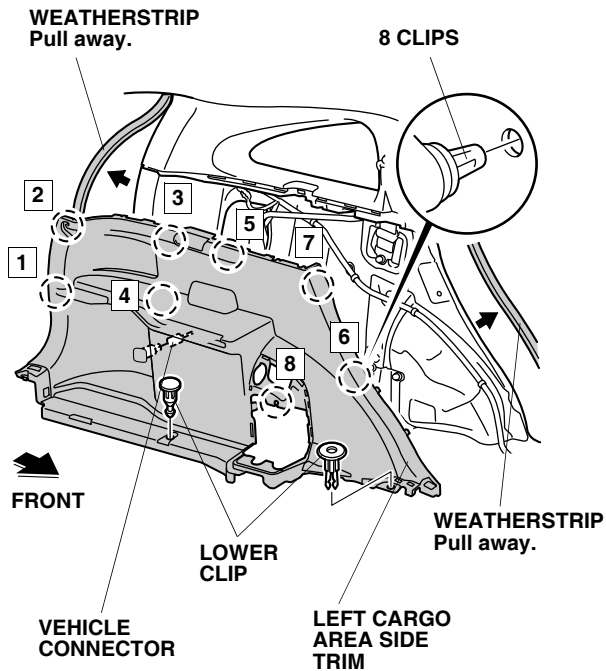


14. Pull away the tailgate weatherstrip, and remove the rear trim panel (four clips and two clips).

15. Remove the cover from the left cargo area side trim panel (ten retaining tabs and one bolt).

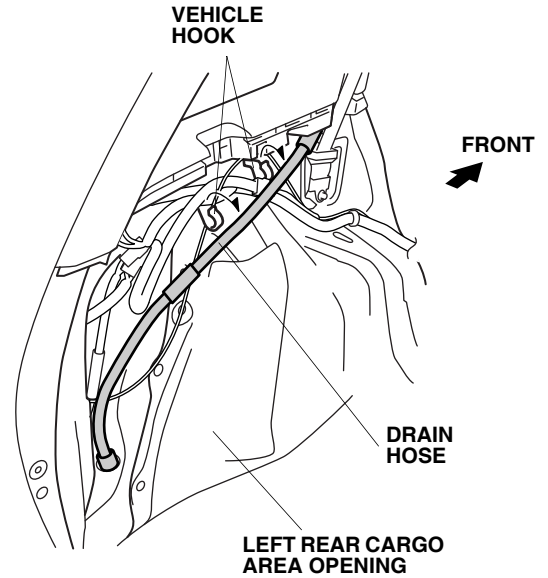


16. Pull away the weatherstrip from the front and the rear of the left cargo area side trim panel. Remove the two lower clips.



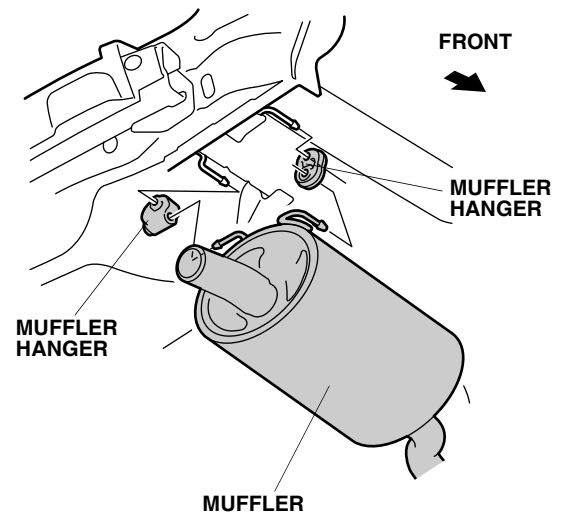
17. Remove the left cargo area side trim panel by releasing the eight clips in the order shown, and unplugging the vehicle connector.

18. Release the drain hose from the two vehicle hooks.

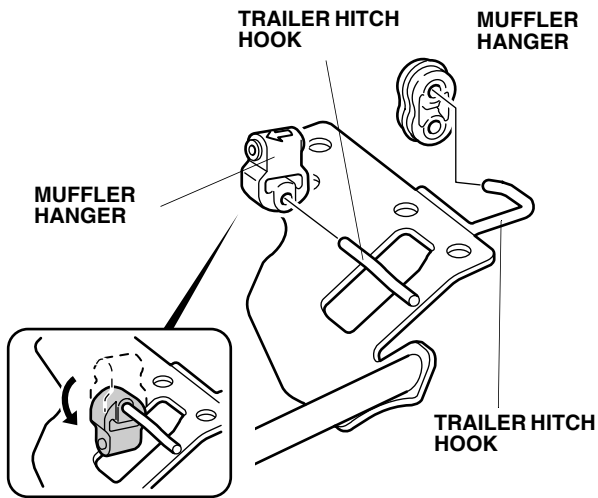


### Installing the Trailer Hitch

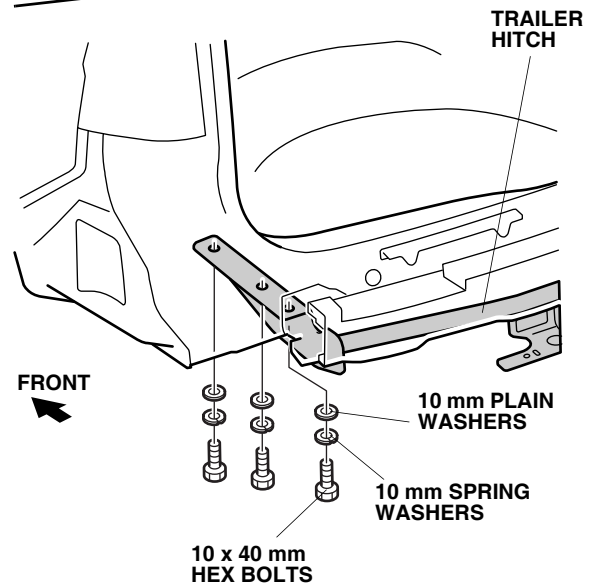
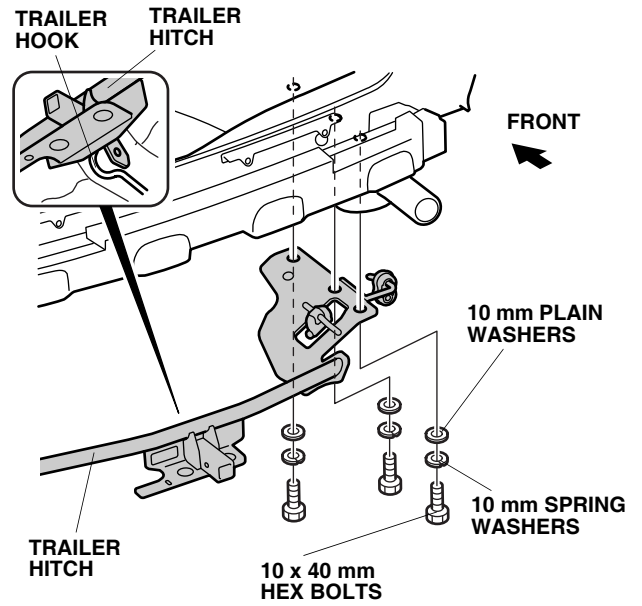
19. Slide the two muffler hangers off of the vehicle posts, then remove the two muffler hangers from the muffler. Be careful not to damage the muffler.



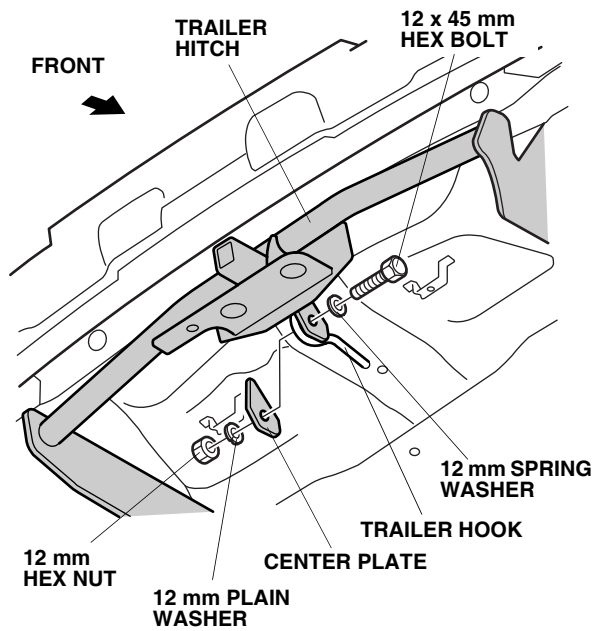
20. Install the two muffler hangers (removed in step 19) onto the hooks of the trailer hitch at the locations shown.



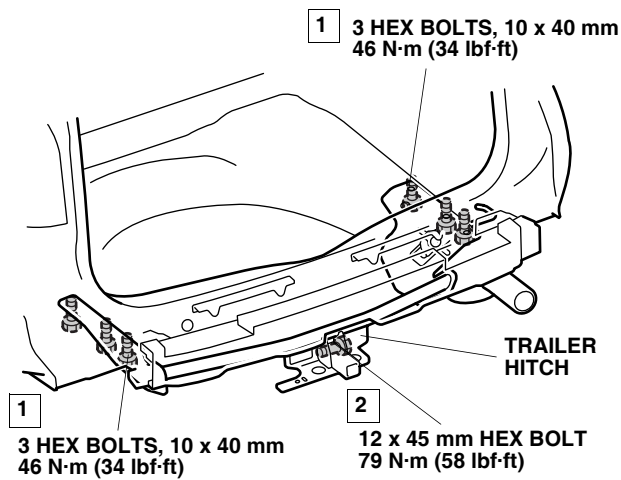
21. With the help of an assistant, install the trailer hitch on the vehicle using the six 10 x 40 mm hex bolts with spring washers and plain washers. Do not tighten the bolts at this time.



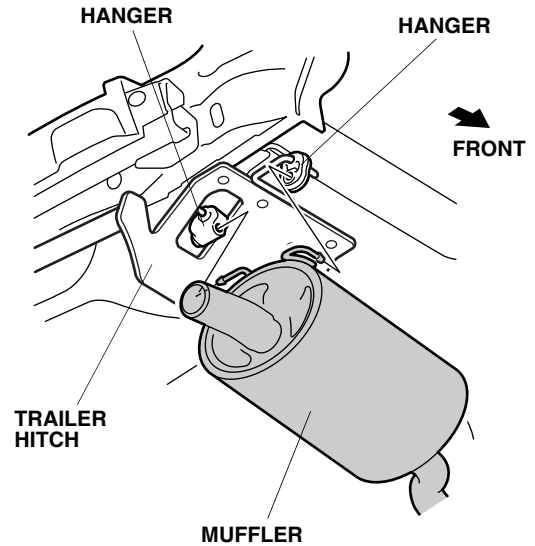
22. Loosely install the 12 x 45 mm hex bolt with spring washer through the trailer hitch and the vehicle hook, then install the center plate, plain washer, and hex nut.



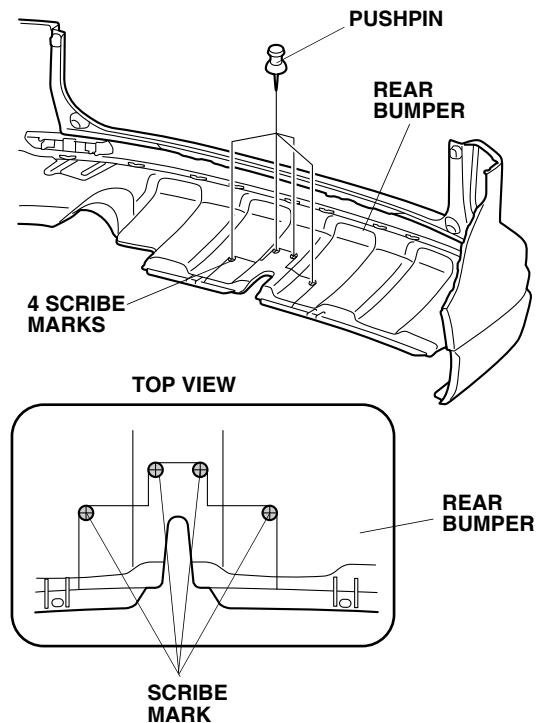
23. First torque the 10 x 40 mm bolts to 46 N·m (34 lb-ft), then torque the 12 x 45 mm bolts to 79 N·m (58 lb-ft).



24. Install the muffler to the hangers on the trailer hitch.

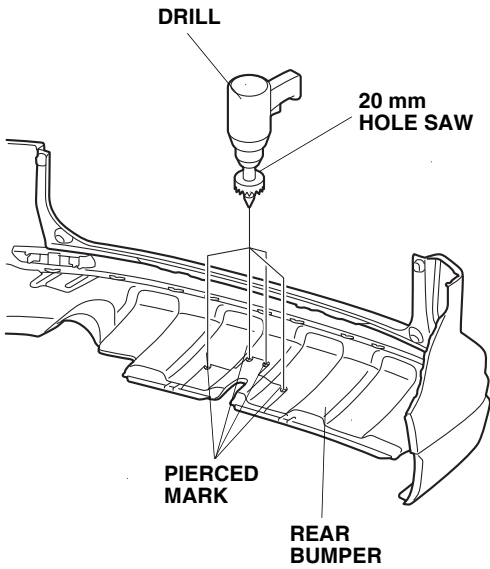


25. On the inside of the rear bumper, locate the four scribe marks. Using a pushpin, pierce the center of each scribe mark.

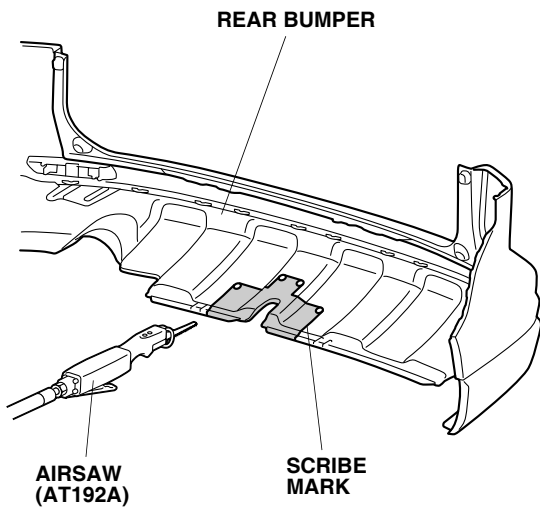




26. While wearing an eye protection, drill the rear bumper at each pierced mark using a 20 mm hole saw.

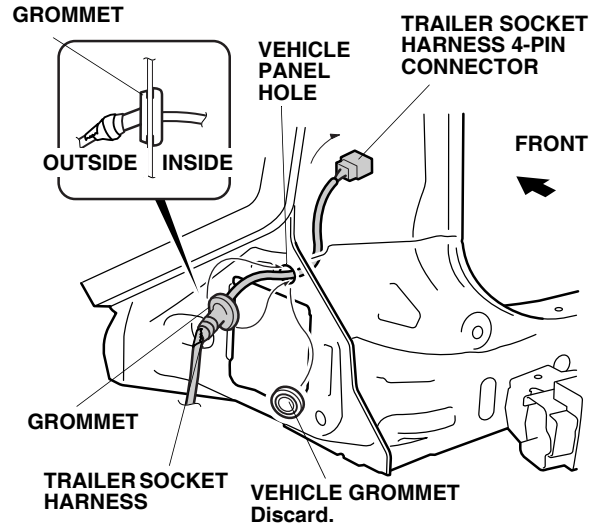


27. Using an air saw, cut out the rear bumper along the scribe mark as shown.

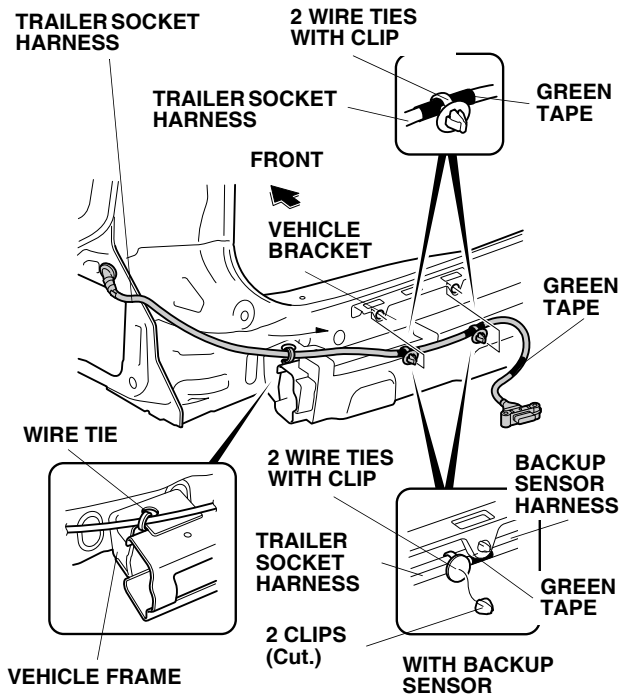


## Routing the Trailer Socket/Control Unit Harnesses

28. On the left rear corner of the vehicle, locate and remove the vehicle grommet.



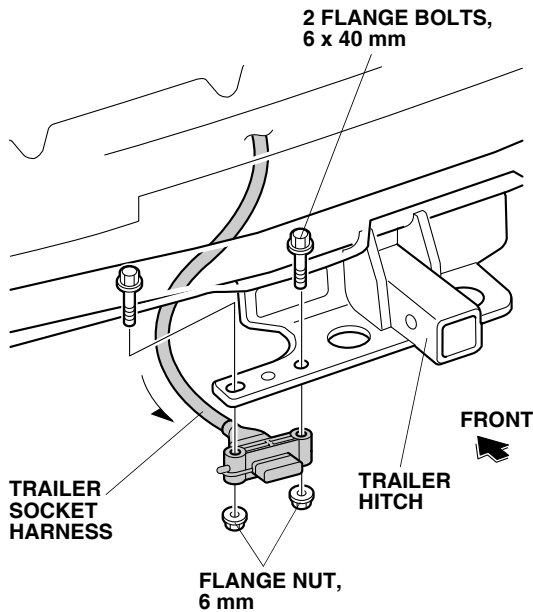
29. Route the 4-pin connector side of the trailer socket harness from the outside to the inside of the vehicle. Seat the trailer socket harness grommet in the vehicle panel hole.
30. Secure the trailer socket harness at the green tape to the vehicle bracket using two wire ties with clips. NOTE: If a backup sensor is also installed, cut the clips from the backup harness wire ties with clip and secure the backup sensor harness to the trailer socket harness near the green tape.



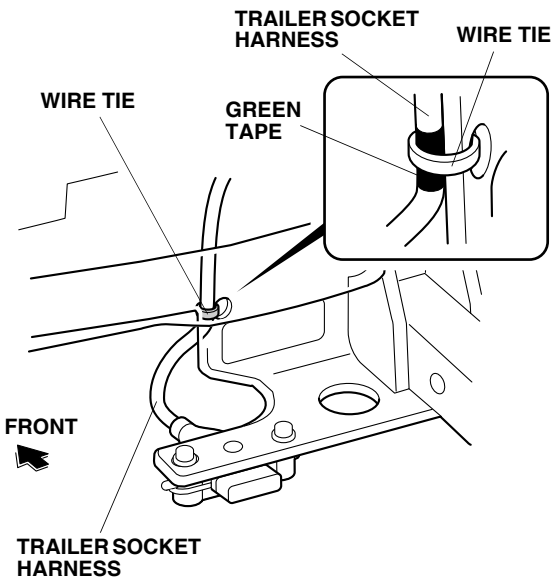
31. Secure the trailer socket harness to the vehicle frame with one additional wire tie.



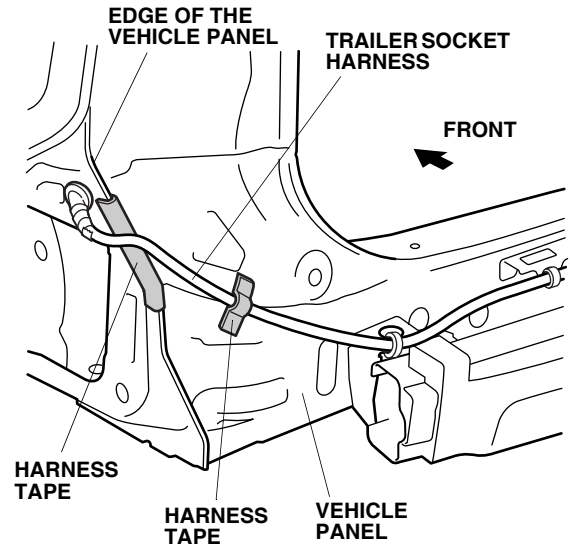
32. Route the trailer socket harness as shown, and secure the trailer socket harness to the trailer hitch with two 6 x 40 mm flange bolts and two 6 mm flange nuts. Make sure to install the trailer socket harness in the correct position and orientation.



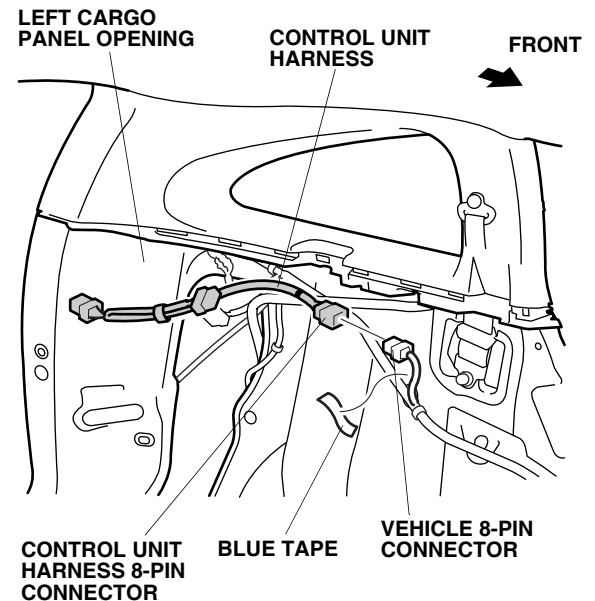
33. Secure the trailer socket harness to the trailer hitch at the green tape using one wire tie.



34. Using an isopropyl alcohol on a shop towel, thoroughly clean the two areas where the harness tapes will attach. Attach one harness tape to the edge of the vehicle panel, and attach the other harness tape to the vehicle panel to secure the trailer socket harness.

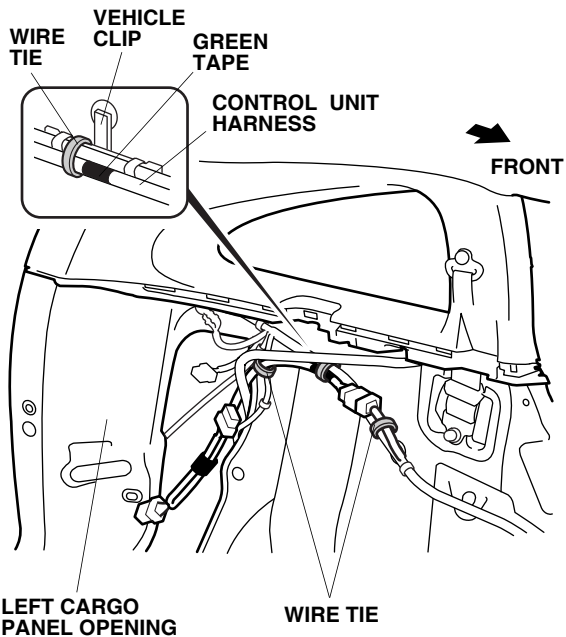


35. Inside the vehicle along the left cargo panel, locate the vehicle 8-pin connector blue-taped to the vehicle harness. Remove the blue tape to free the connector.

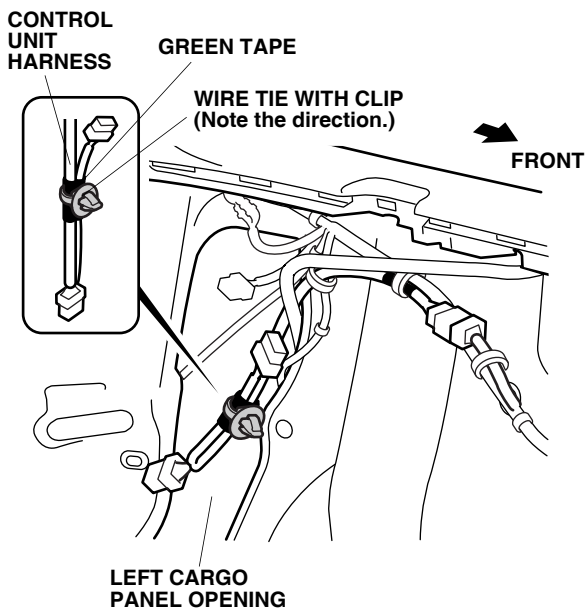


36. Get the control unit harness. Plug the control unit harness 8-pin connector into the vehicle 8-pin connector you just freed.

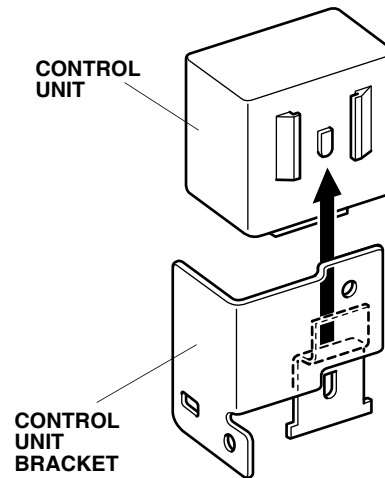
37. Secure the control unit harness next to the vehicle clip using one wire tie. Don't wrap the wire tie around the washer tube.



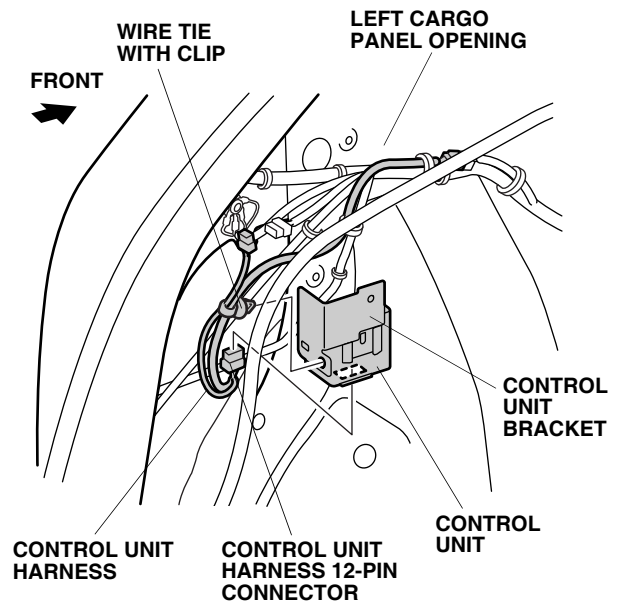
38. Secure the control unit harness to the vehicle harness using two additional wire ties as shown. Don't wrap the wire ties around the washer tube.
39. Install one wire tie with clip to the control unit harness at the green tape. Note the installation direction of the clip.



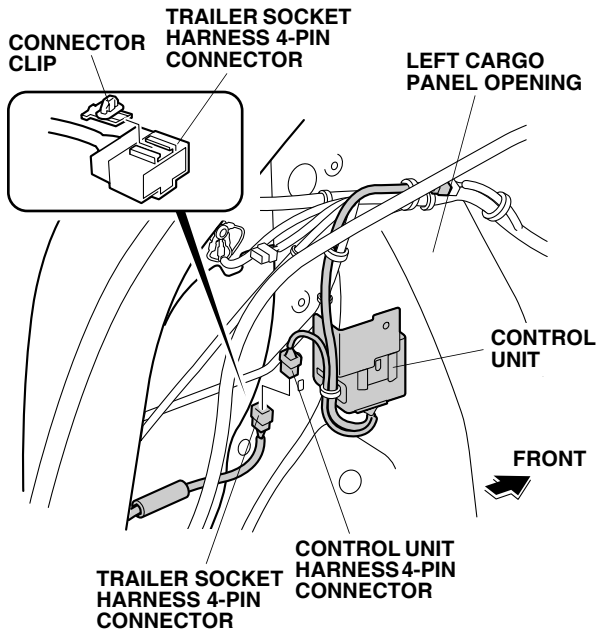
40. Slide the control unit onto the control unit bracket.



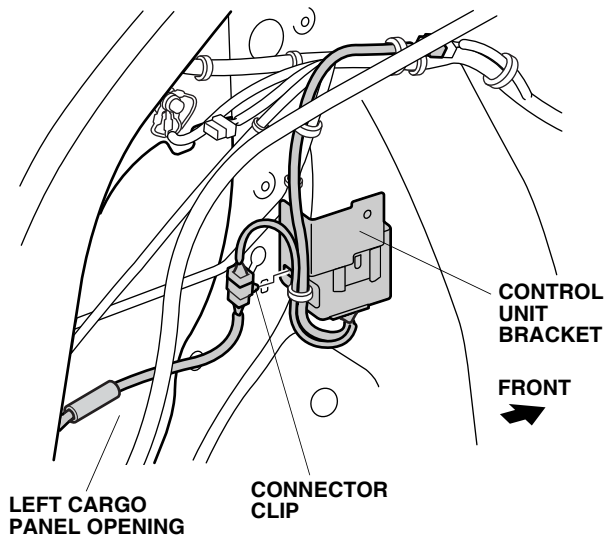
41. Plug the control unit harness 12-pin connector into the control unit, then secure the control unit harness to the control unit bracket using the wire tie with clip installed in 39.



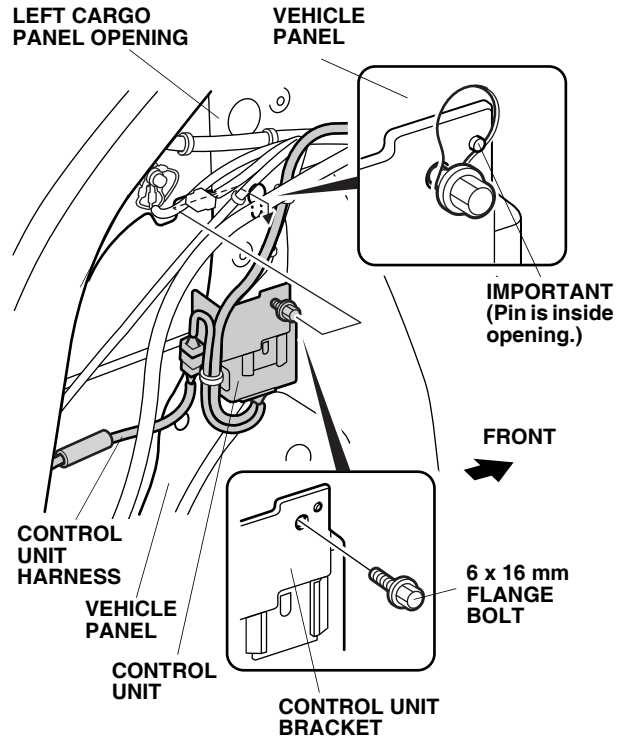
42. Slide the connector clip onto the trailer socket harness 4-pin connector.



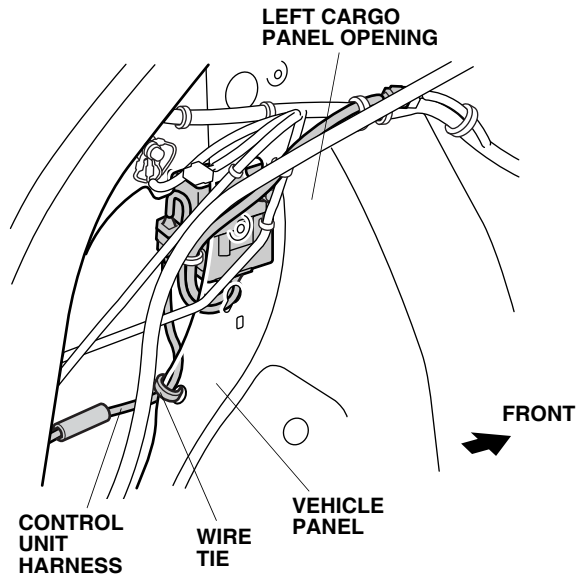
43. Plug the control unit harness 4-pin connector into the trailer socket harness 4-pin connector.
44. Secure the connector clip to the control unit bracket.



45. Loosely thread the 6 x 16 mm flange bolt into the control unit bracket.

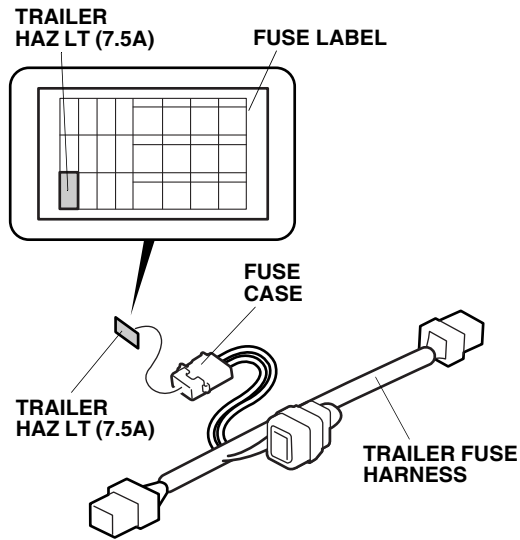


46. Install the control unit to the vehicle panel by inserting the 6 x 16 mm bolt through the hole in the panel. Make sure the pin on the control unit bracket is inside the opening before tightening the 6 x 16 mm bolt.
47. Secure the control unit harness to the vehicle panel with one wire tie.

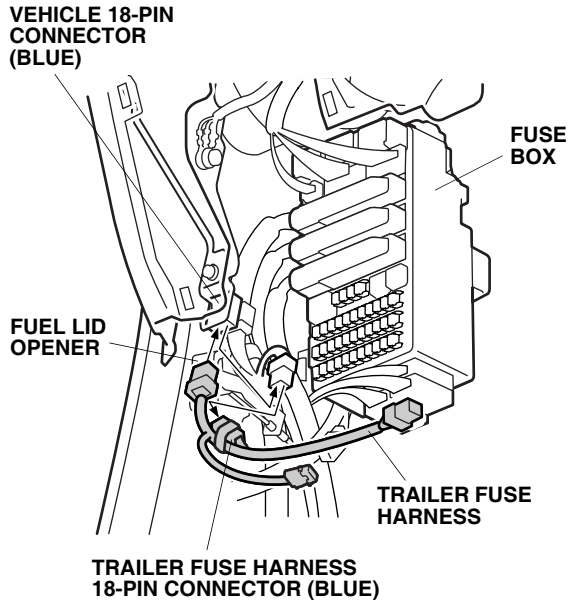


## Routing the Trailer Fuse Harness

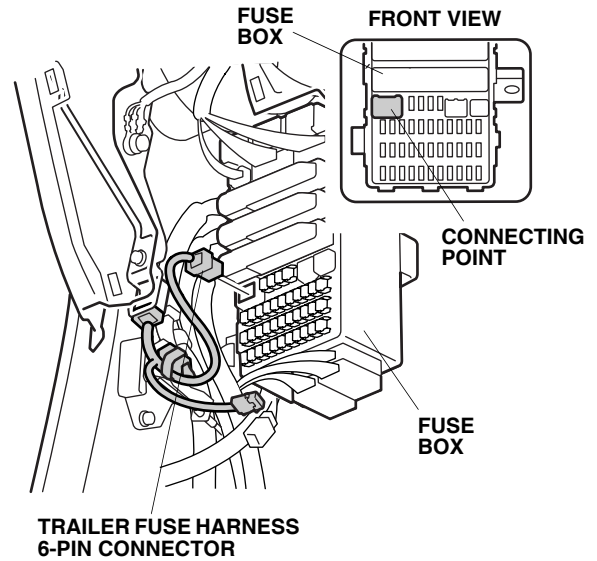
48. Attach the 7.5A fuse label to the fuse case on the trailer fuse harness.



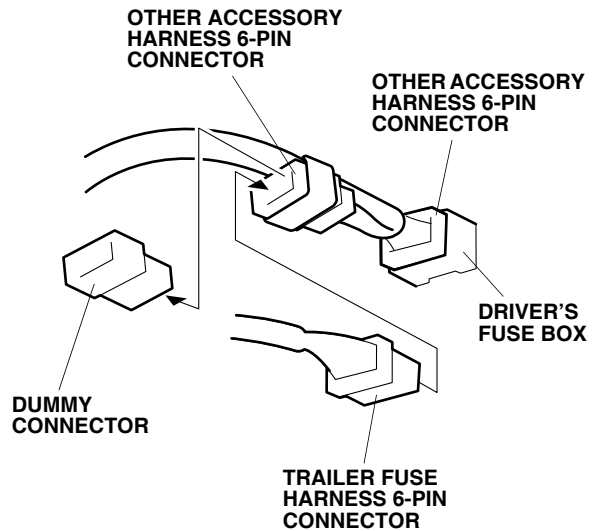
49. Above the fuel lid opener, locate and unplug the vehicle 18-pin connector (blue), and plug it into the trailer fuse harness 18-pin connector (blue). Connect the remaining trailer fuse harness 18-pin connector to the vehicle 18-pin connector.



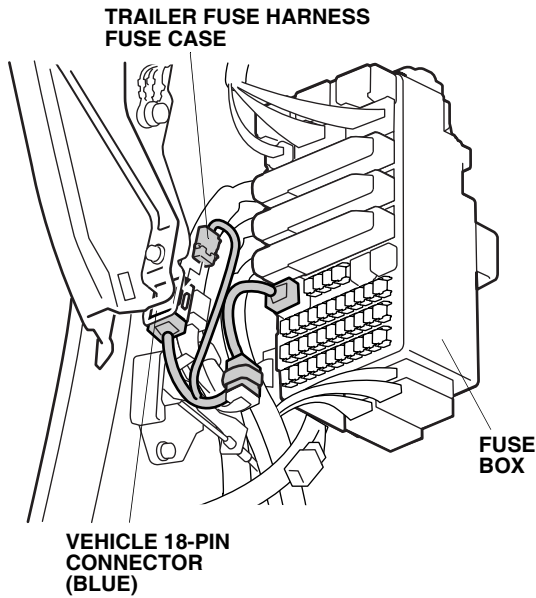
50. Plug the trailer fuse harness 6-pin connector to the 6-pin opening fuse box.



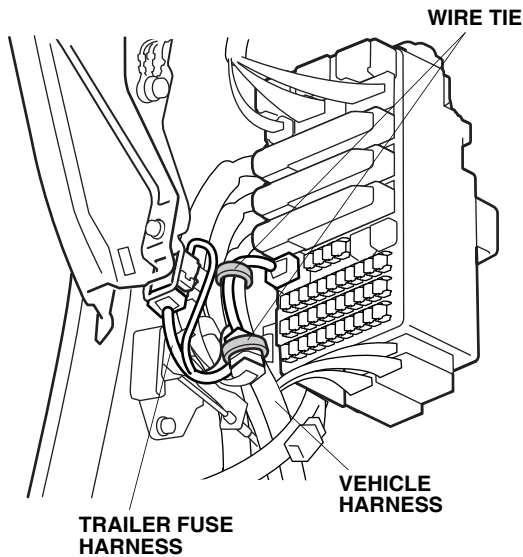
51. If another accessory connector is already plugged into the fuse box 6-pin connector, remove the dummy connector from the other accessory harness. Plug the trailer fuse harness 6-pin connector into the other accessory harness 6-pin connector.



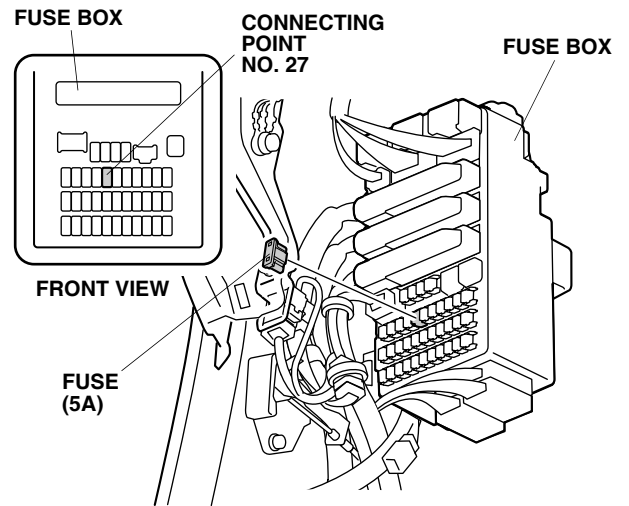
52. Secure the fuse case on the trailer fuse harness to the vehicle 18-pin connector (blue).



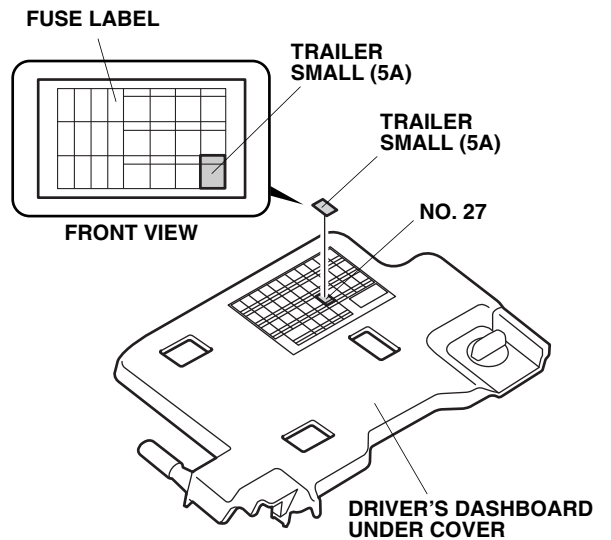
53. Secure the trailer fuse harness to the vehicle harness with two wire ties.



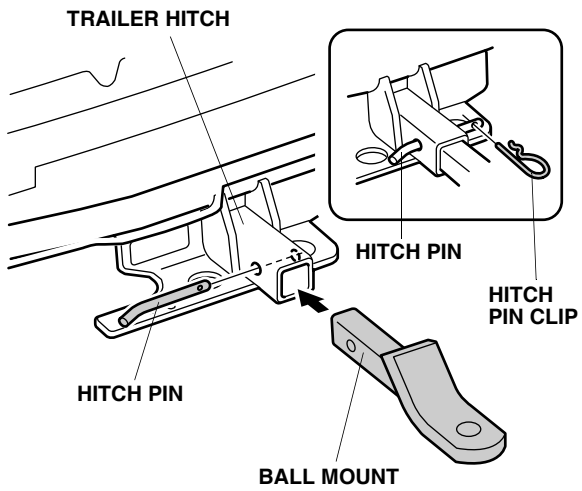
54. Insert the 5A fuse into the fuse box at the empty slot shown.



55. If an optional 5A fuse label is already attached to the driver's dashboard under cover, go to step 56. Otherwise, using an isopropyl alcohol on a shop towel, thoroughly clean the area where the fuse label will attach. Attach the 5A fuse label to the NO. 27 slot on the driver's dashboard under cover.



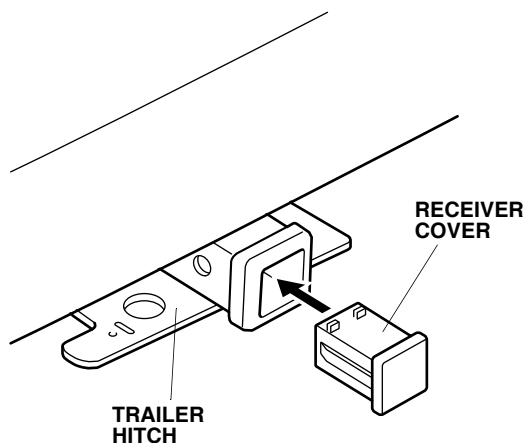
56. Check that all wire harnesses are routed properly and all connectors are plugged in.
57. Reinstall all removed parts.
58. Reconnect the negative cable to the battery.
59. Enter the customer's anti-theft code for the radio, and reset the radio station presets.
60. Reset the clock.
61. Insert the ball mount into trailer hitch, and install the hitch pin and the hitch pin clip.



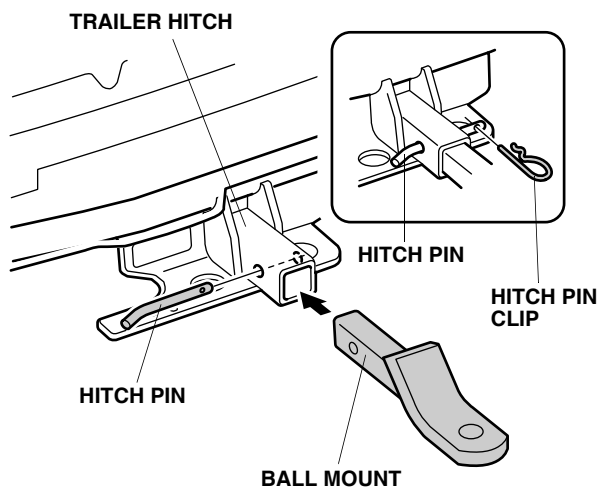
**Give a Copy of this Page to your Customer**

**Installing the Receiver Cover**

Whenever you remove the hitch pin clip, the hitch pin, and the ball mount, store them securely in the cargo area. Install the receiver cover into the opening at the end of the trailer hitch. When you reinstall the ball mount, store the receiver cover in the cargo area.



Install the ball mount into the trailer hitch using a hitch pin and hitch pin clip.



After the first 600 miles (1,000 km) of towing, have your Honda Dealer recheck the torque of the trailer hitch bolts.