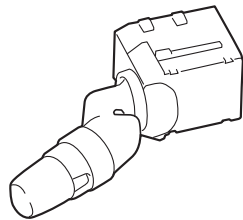


**PARTS LIST**
**Fog Light Kit  
P/N 08V31-TK8-100**

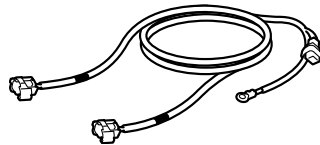
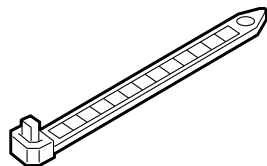
Left fog light



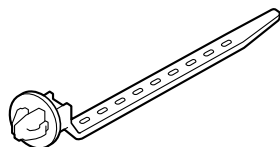
Right fog light


 Light switch  
(With "Auto Light" function.)


Fog light harness


 16 Wire ties  
(Some may not be used.)


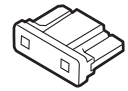
2 Wire ties with clip



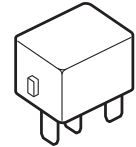
2 Washer-bolts, 5 x 16 mm

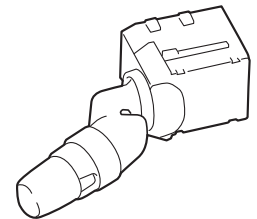


20A Fuse



Relay


**Light Switch (LX Model)  
P/N 08V38-TA0-100  
(Sold separately)**

 Light switch  
(Without "Auto Light" function.)

**TOOLS AND SUPPLIES REQUIRED**

Flat-tip screwdriver

Phillips screwdriver

Ratchet

10 mm Socket

10 mm Open end wrench

Diagonal cutters

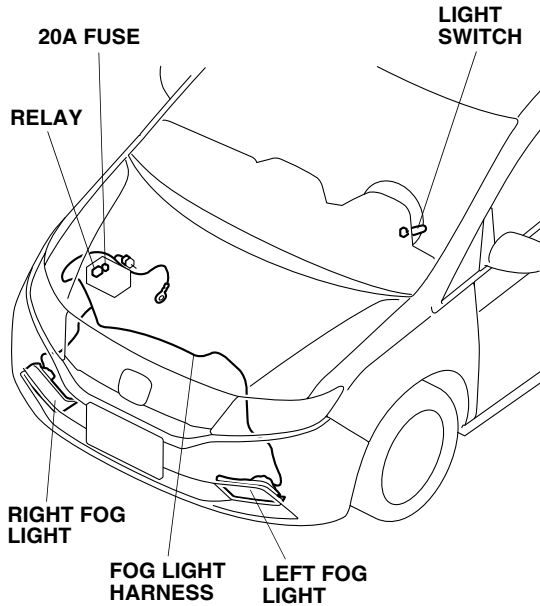
Trim Tool Set (SOJATP2014)

(Available through the Honda Tool and Equipment program. On the iN, click on: Service/Service Bay/Tool and Equipment Program, then enter the number under "Search." Or call 888-424-6857.)

Masking Tape

Blanket

## Illustration of the Fog Lights Installed on the Vehicle

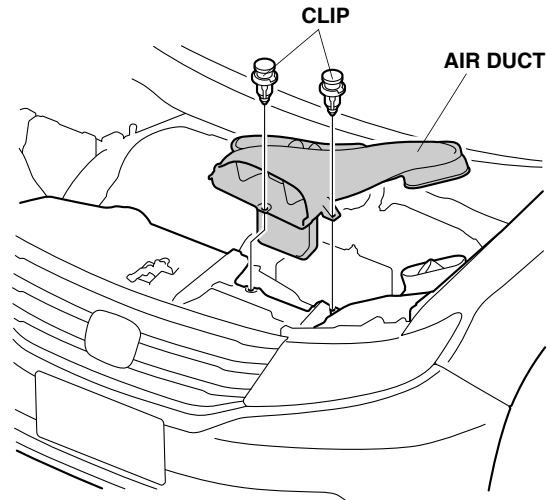


## INSTALLATION

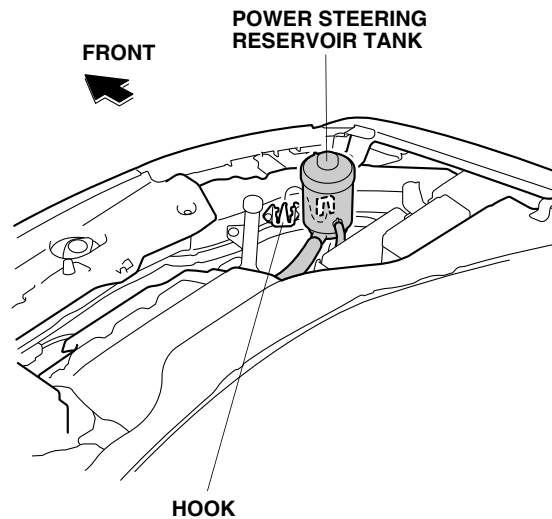
**Customer Information:** The information in this installation instruction is intended for use only by skilled technicians who have the proper tools, equipment, and training to correctly and safely add equipment to your vehicle. These procedures should not be attempted by "do-it-yourselfers."

1. Make sure you have the anti-theft code for the audio unit and navigation system (if equipped), then write down the radio station presets.

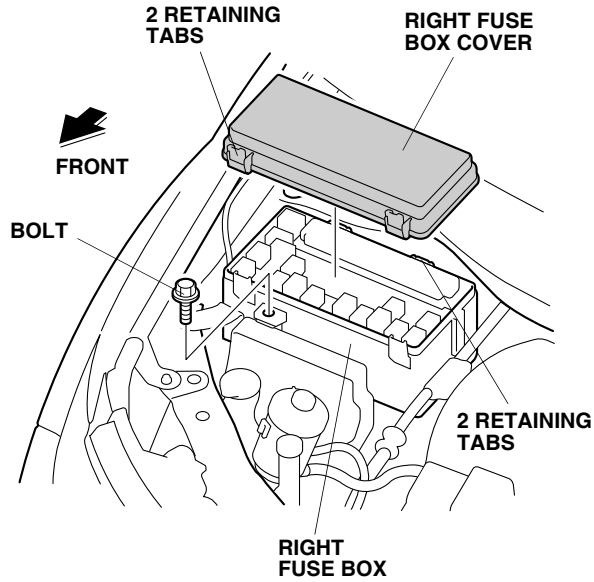
2. Open the hood and remove the air duct (two clips).



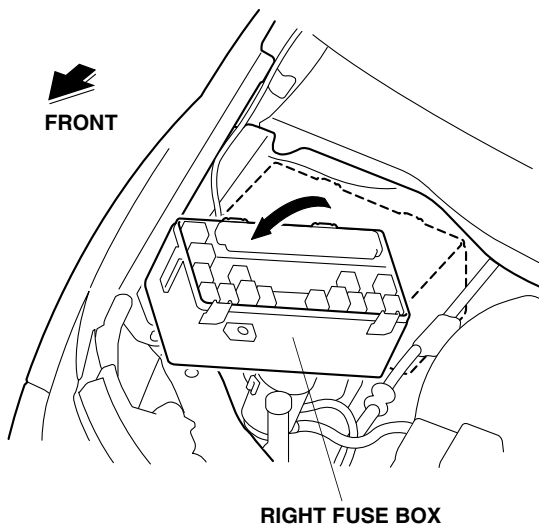
3. Disconnect the negative cable from the battery.
4. Release the power steering reservoir tank (one hook).



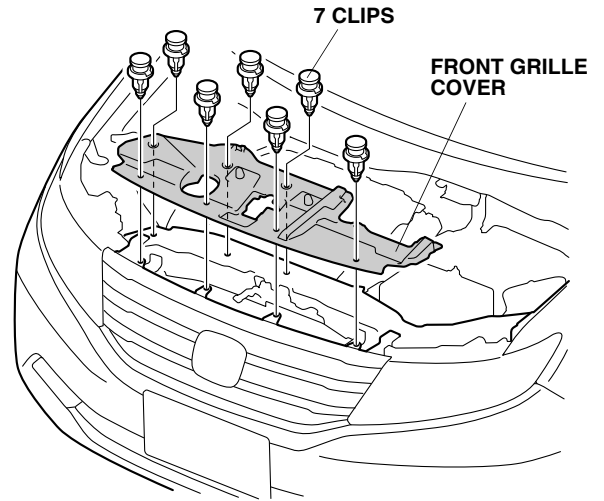
5. Remove the right fuse box cover (two retaining tabs).



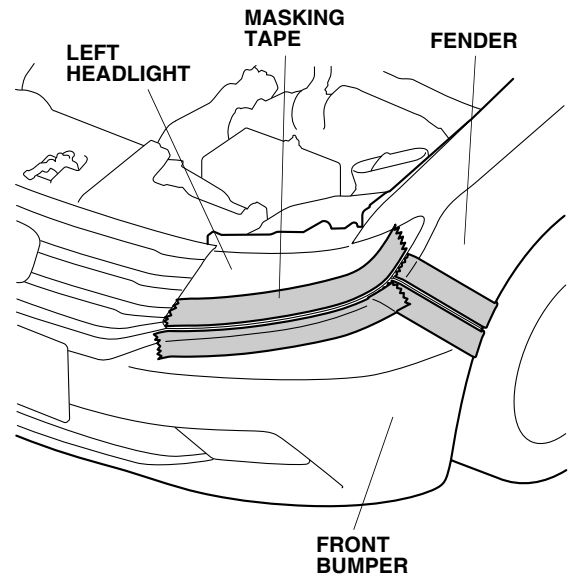
6. Release the right fuse box (one bolt and two retaining tabs).
7. Move the right fuse box out of the way.



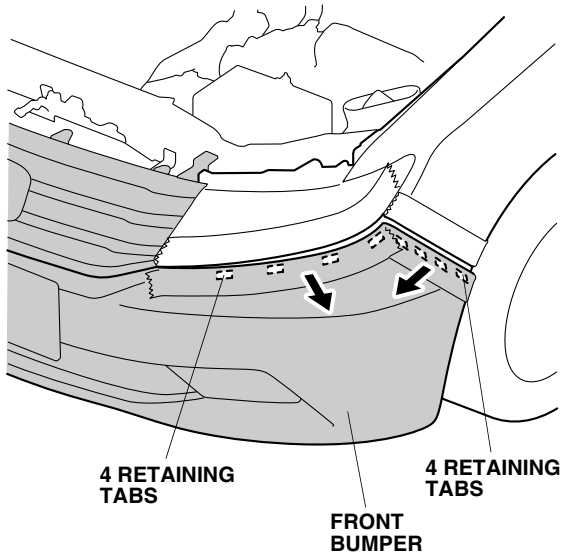
8. Remove the front grille cover (seven clips).



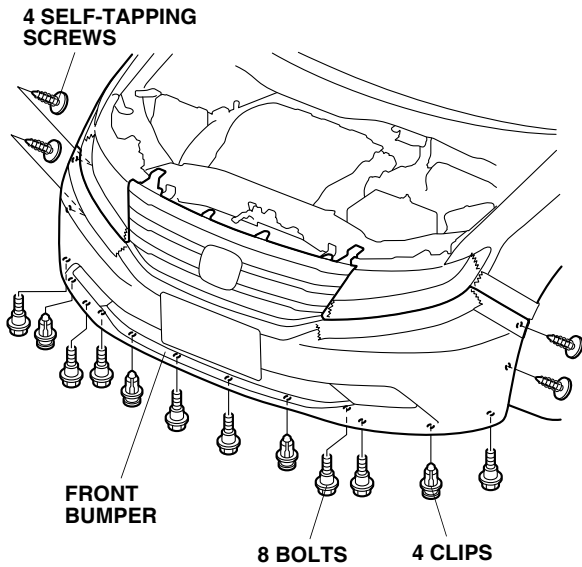
9. Remove the front bumper.
- On both sides of the vehicle, attach masking tape to the areas shown.



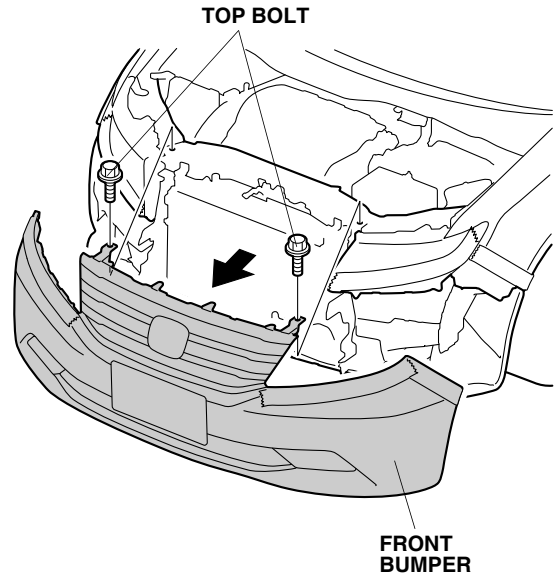
- Release eight retaining tabs on each side of the front bumper.



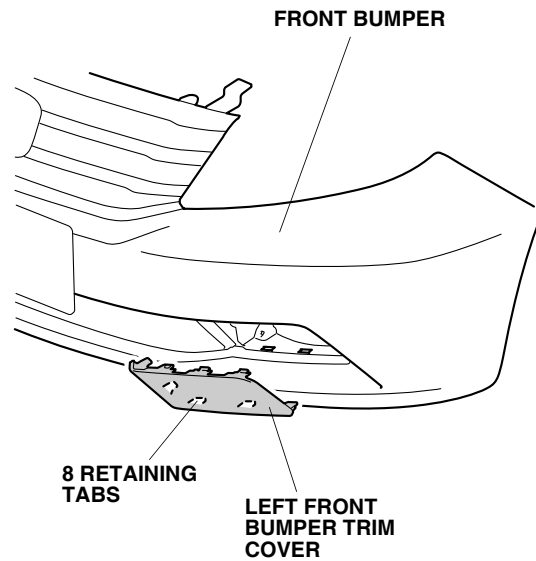
- Remove four self-tapping screws, eight bolts, and four clips from the front bumper.



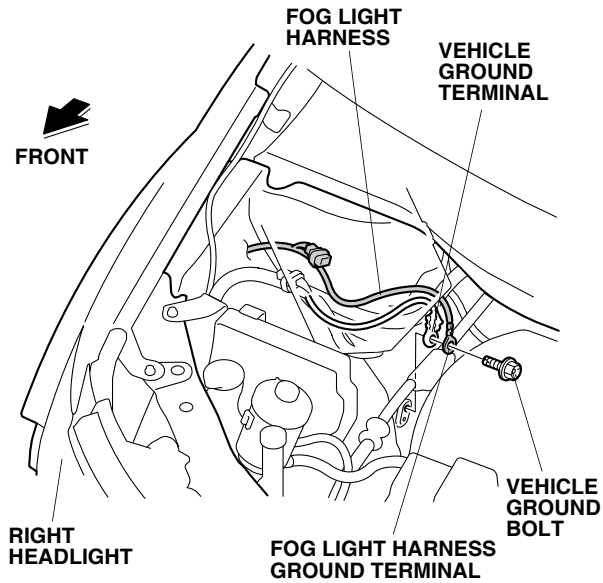
- Remove two top bolts from the front bumper. With the help of an assistant, remove the front bumper and set it on a blanket.



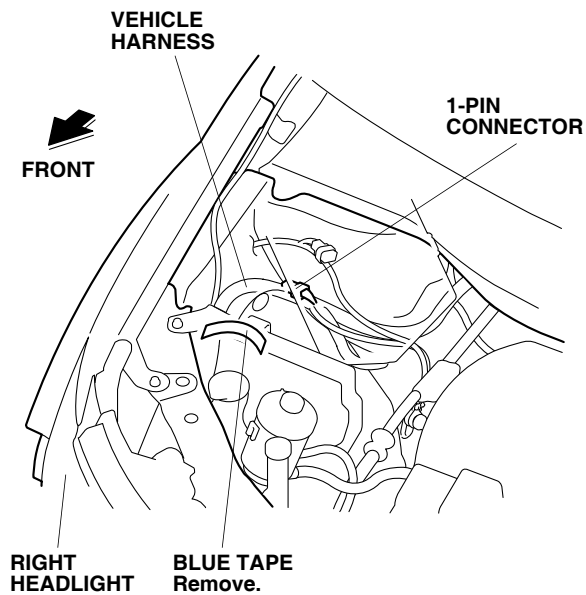
10. Remove the left front bumper trim cover (eight retaining tabs). Remove the right front bumper trim cover.



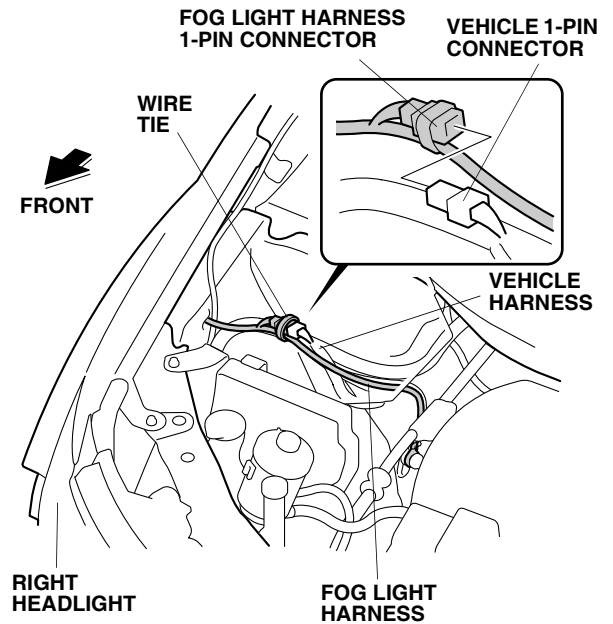
- Remove the vehicle ground bolt. Secure the fog light harness ground terminal to the vehicle ground terminal with the vehicle ground bolt.



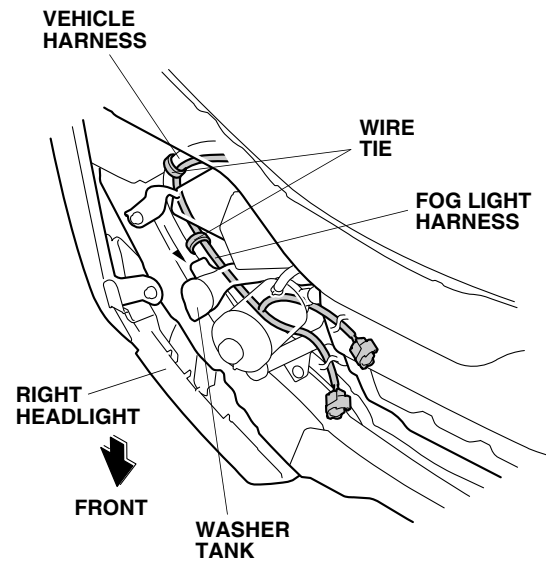
- Locate the 1-pin connector blue-taped to the vehicle harness. Remove the blue tape to release the 1-pin connector.



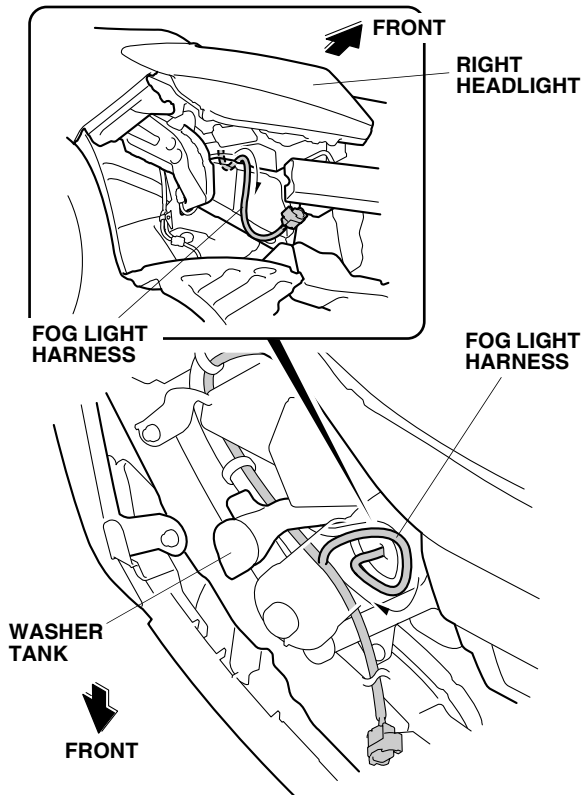
- Plug the fog light harness 1-pin connector to the vehicle 1-pin connector.



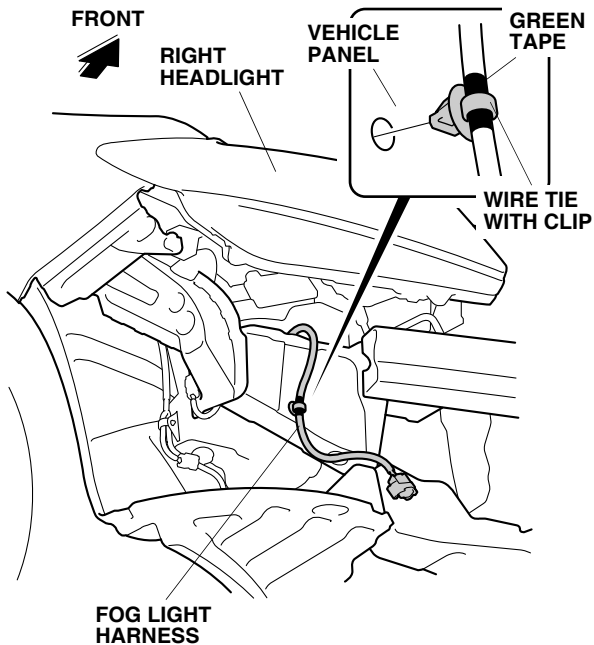
- Secure the fog light harness 1-pin connector to the vehicle harness with one wire tie.
- Route the fog light harness forward as shown, and secure it to the vehicle harness with two wire ties.



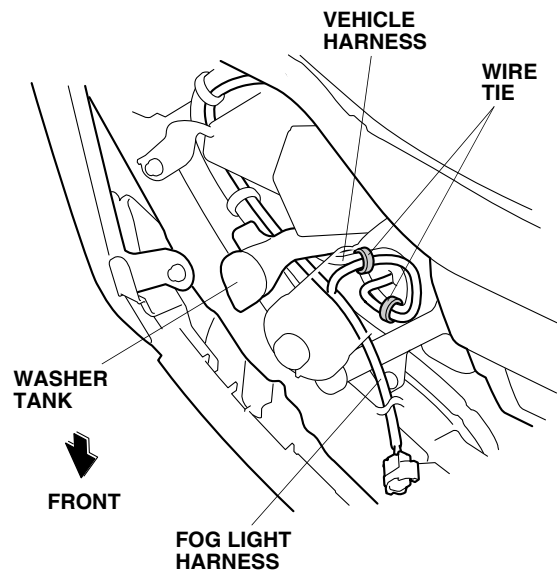
16. Continue routing the fog light harness under the right headlight as shown.



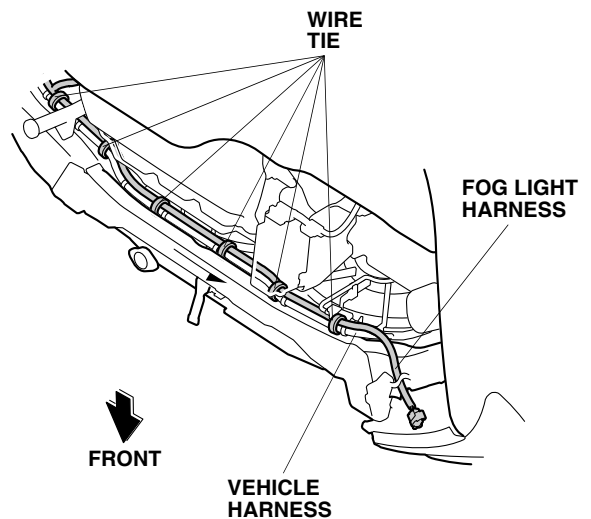
17. Install one wire tie with clip to the fog light harness at the green tape. Install the wire tie with clip into the vehicle panel hole.



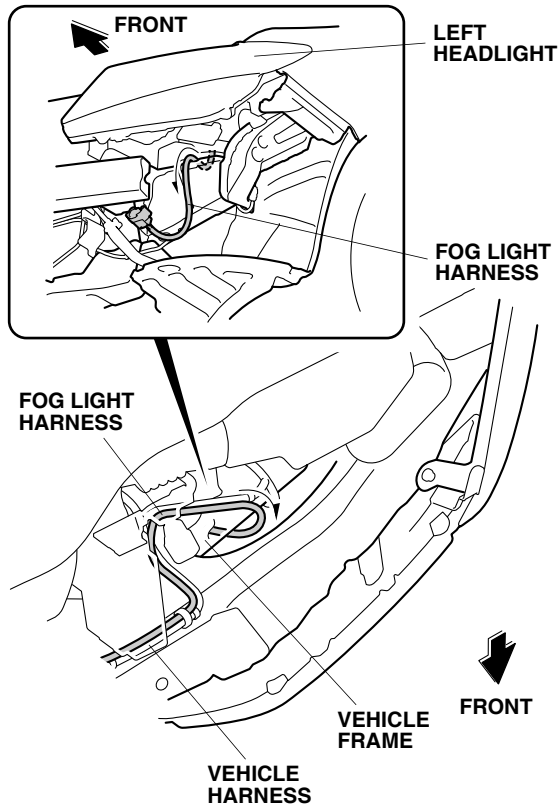
18. Secure the fog light harness to the vehicle harness with two wire ties.



19. Route the fog light harness along the vehicle harness, and secure it to the vehicle harness with six wire ties.

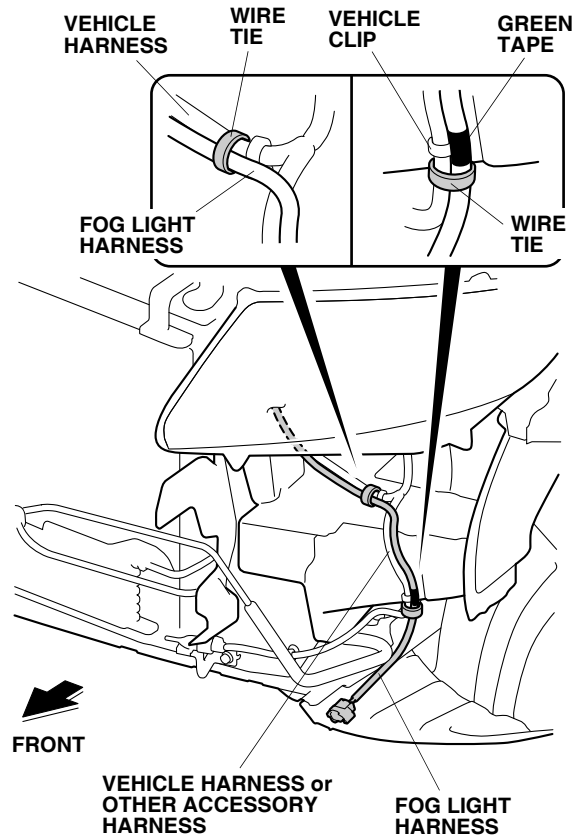


20. Route the fog light harness under the left headlight as shown.



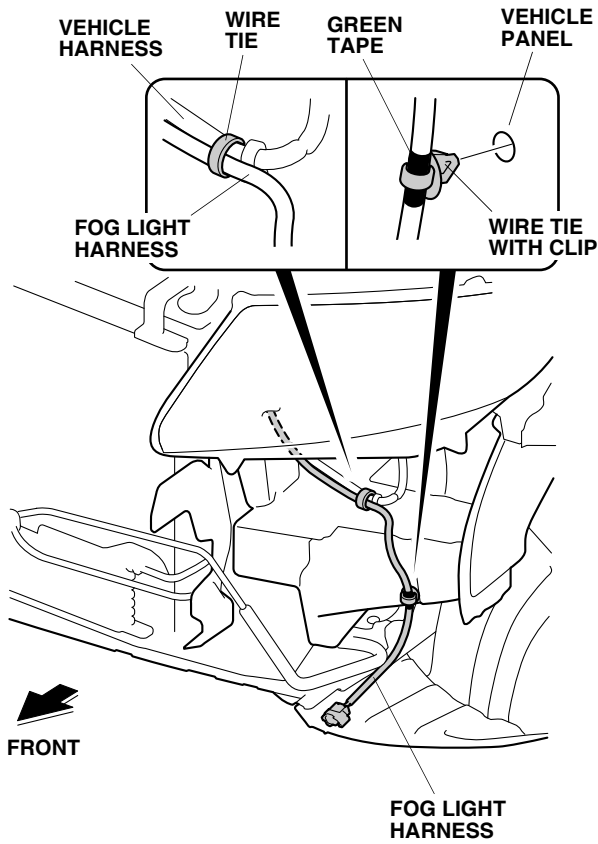
If the vehicle is equipped with a vehicle harness or another accessory harness, continue with step 21. If not, go to step 23.

21. Align the green tape on the fog light harness with the vehicle clip, and secure the fog light harness to the vehicle harness or accessory harness with one wire tie.



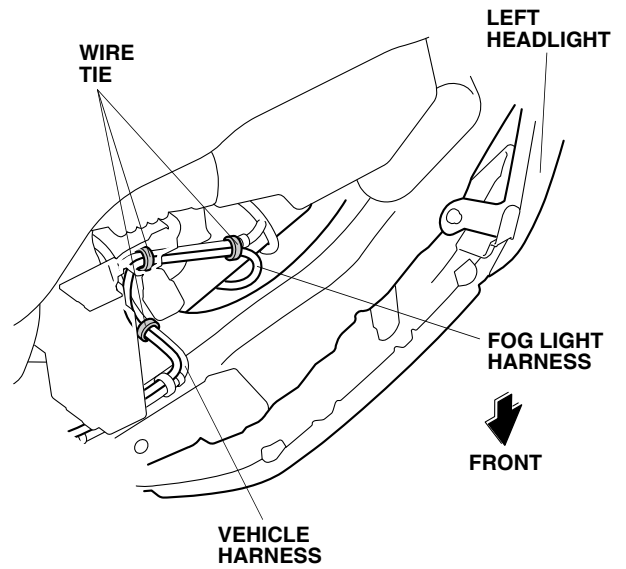
22. Secure the fog light harness to the vehicle harness with one wire tie. Go to step 25.

23. Secure the fog light harness to the vehicle panel with one wire tie with clip at the green tape.

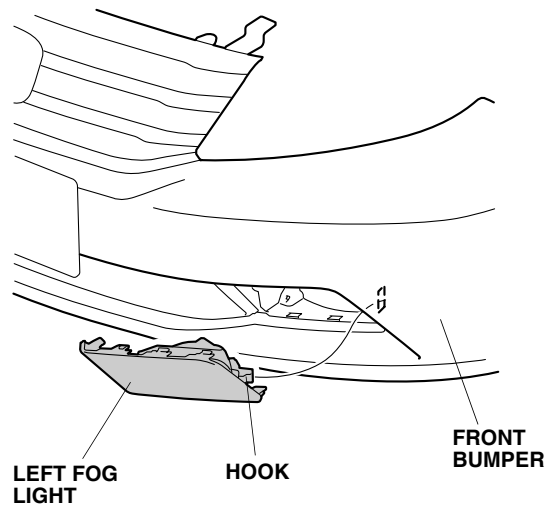


24. Secure the fog light harness to the vehicle harness with one wire tie.

25. Secure the fog light harness to the vehicle harness with three wire ties.

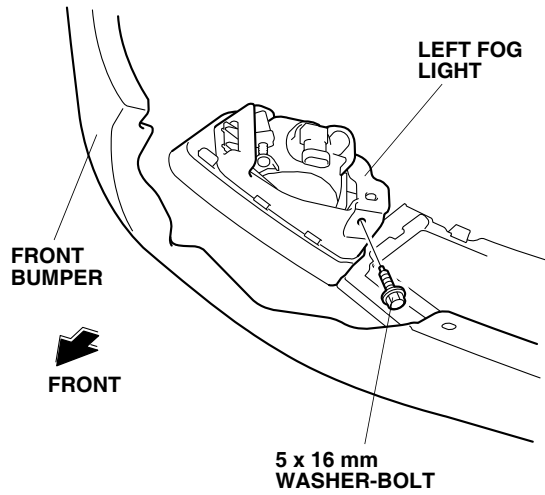


26. Install the left fog light to the front bumper with one hook.

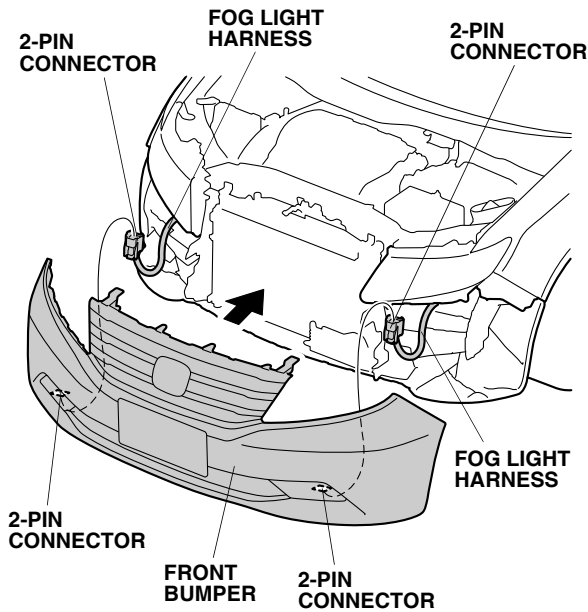




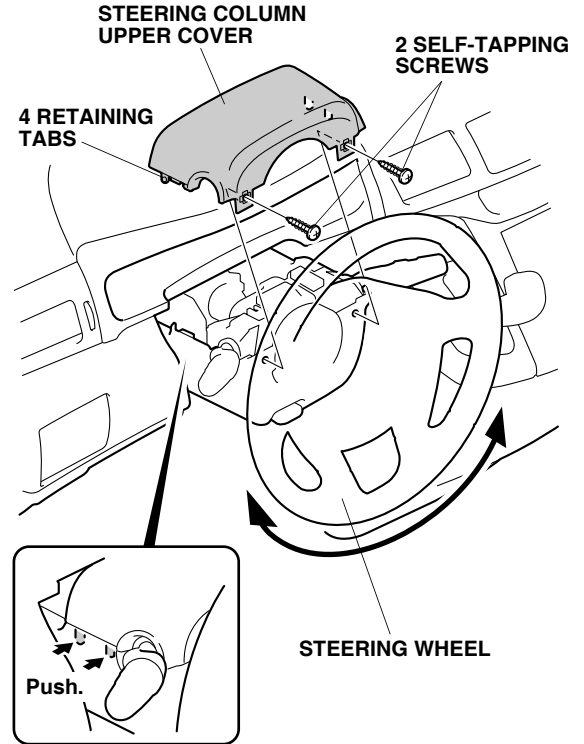
27. Secure the left fog light to the front bumper with one 5 x 16 mm washer-bolt.



28. Repeat steps 26 and 27 to install the right fog light.  
 29. With the help of an assistant, bring the front bumper close to the vehicle, and plug in the fog light harness 2-pin connectors. Reinstall the front bumper. Do not reinstall the bumper clips and bolts at this time.



30. Lower the tilt lever and pull down the steering wheel.

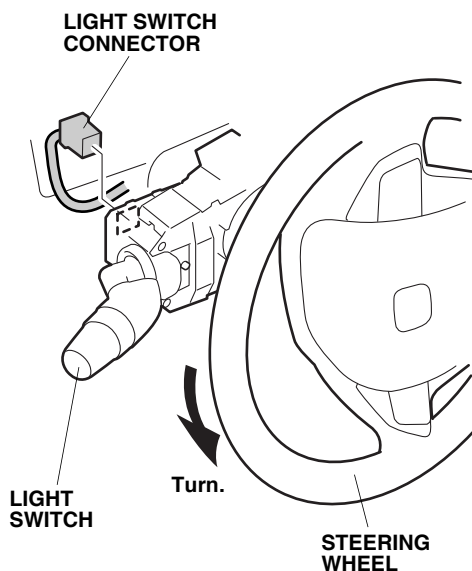


31. Remove the steering column upper cover (two self-tapping screws and four retaining tabs). Turn the steering wheel (right or left) to access each self-tapping screw.

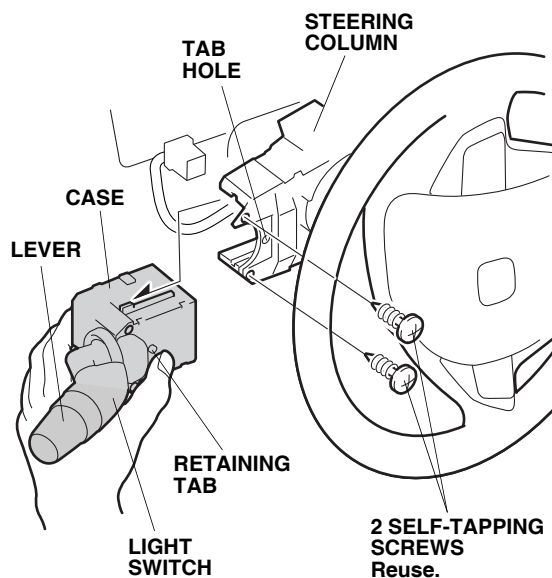
32. Remove the steering column lower cover (three washer-screws).



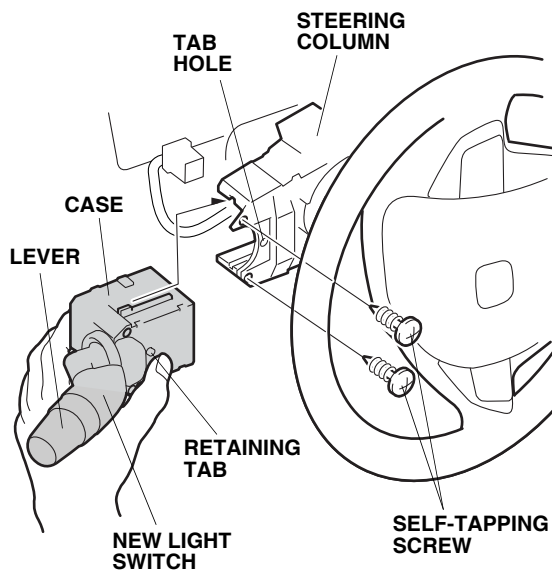
33. Turn the steering wheel counterclockwise. Unplug the light switch connector from the light switch.



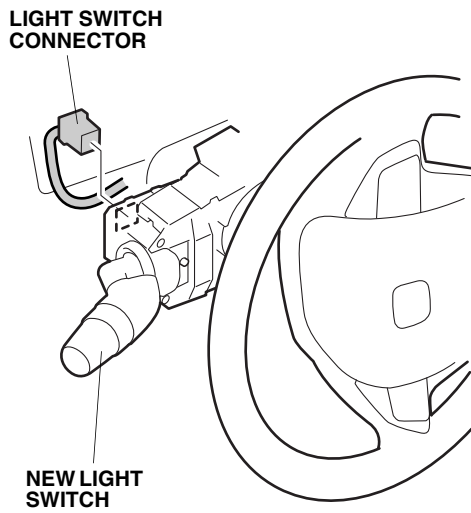
34. Remove two self-tapping screws from the light switch. While pushing the retaining tab, slide the light switch out, and remove it from the steering column. Do not pull on the lever when removing the case, or damage the tab hole in the steering column.



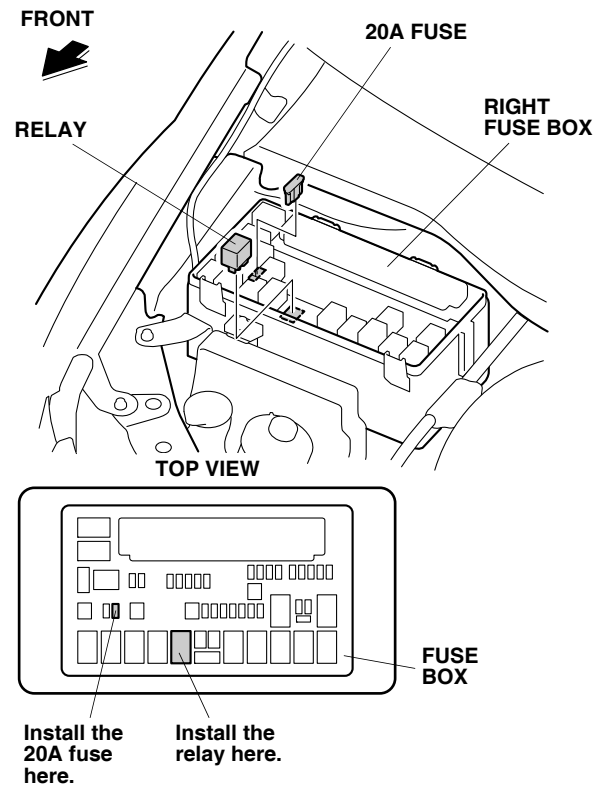
35. Install the new light switch to the steering column by pushing in on the case and setting the retaining tab into the tab hole. Do not push on the lever. Install the self-tapping screws removed in step 34.



36. Plug the light switch connector into the new light switch.




37. Plug the relay and the 20A fuse into the right fuse box.

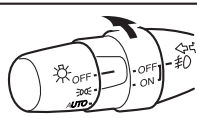


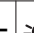
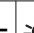
38. Check that all wire harnesses and cables are routed properly and that all connectors are plugged in.
39. Reinstall all removed parts.
40. Reconnect the negative cable to the battery.
41. Enter the anti-theft code for the audio unit and navigation system (if equipped), and reset the radio station presets.
42. Reset the clock on vehicles without navigation.

## USE AND CARE

### How to Operate the Fog Lights

- Turn the headlight switch to the “D” position (headlights on low beam).
- Turn the fog light switch on (indicator is on).
- LX model has no “Auto Light” function.



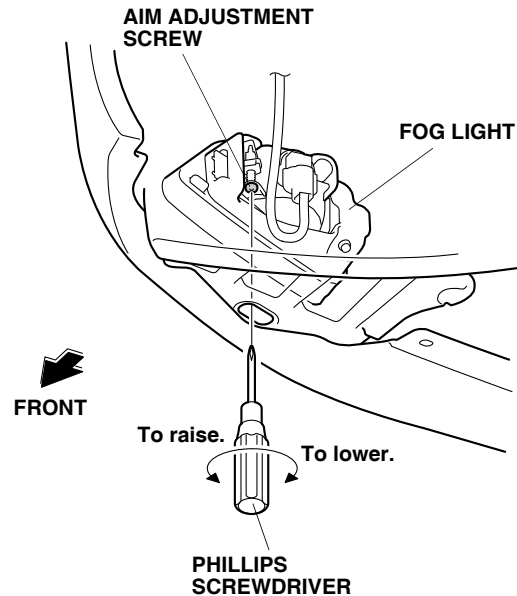
|                  |     | HEADLIGHT SWITCH |   |   |      |
|------------------|-----|------------------|---|---|------|
|                  |     | OFF              |  | AUTO/  |      |
|                  |     |                  |   | Low   | High |
| FOG LIGHT SWITCH | OFF | -                | -   | -   | -    |
|                  | ON  | -                | -   | ON  | -    |

NOTE: The fog light lenses may cloud when the outside temperature is cold; this is normal and should go away in warm weather.

If the fog lights do not turn on, check the fuse and all the connectors, including the ground cable.

### How to Aim the Fog Lights

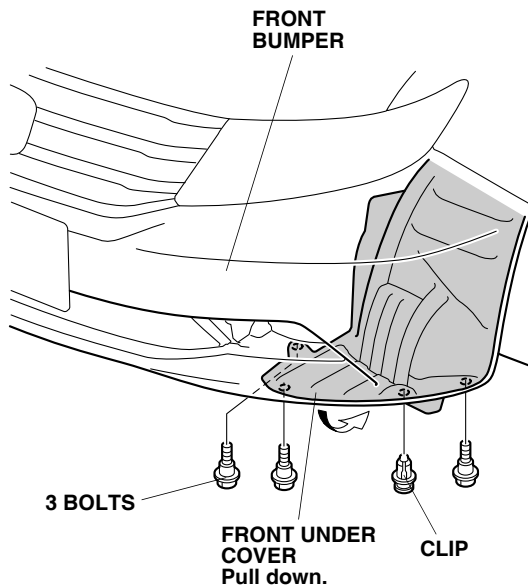
- Adjust the fog light:
  - To adjust, turn the adjustment screw in or out until the correct aiming is obtained.
  - Adjust the aiming according to local laws and regulations.



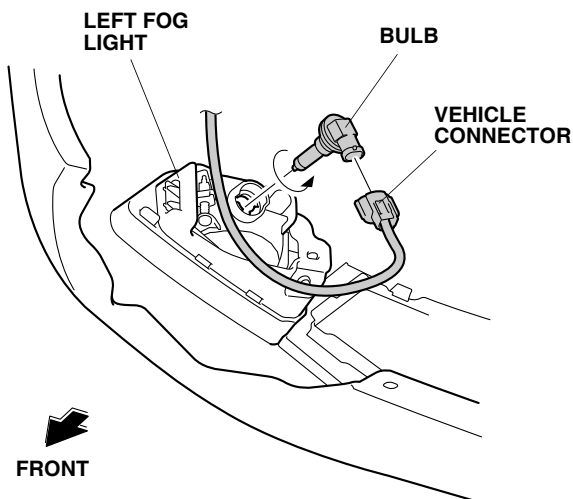
- Install the front bumper bolts and clips. Check that all clips and fasteners are installed securely.

## Replacing a Bulb

1. Remove three bolts and one clip, and gently pull down the front under cover.



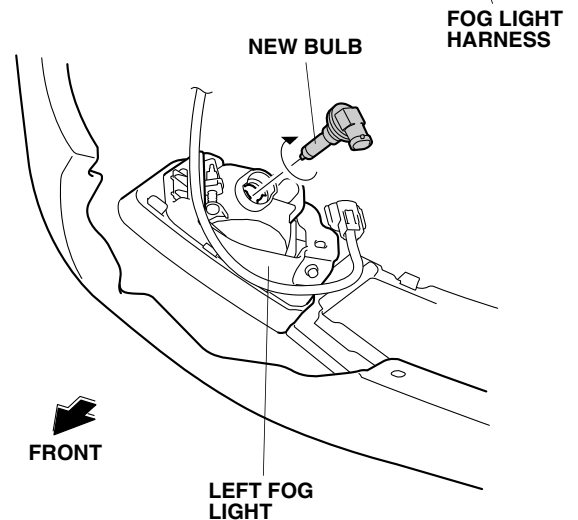
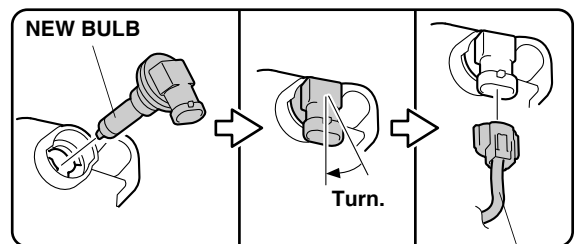
2. Insert your hand behind the under cover, and unplug the vehicle connector from the left fog light. Remove the bulb by turning it counterclockwise.



3. Install the new bulb into the fog light.
  - Use only a genuine Honda halogen light bulb of specified wattage.

Rating: 12V 55W H11 Halogen Light Bulb  
P/N33165-S5A-0030

- Do not touch the bulb. Oily or greasy substances on the bulb can shorten its service life due to the heat produced when the bulb is turned on. If the bulb is accidentally touched, wipe it clean with a soft cloth that has been dampened with a denatured alcohol or a mild detergent solution.
- When installing the new bulb, align the cutout on the fog light with the tab on the new bulb and turn the new bulb clockwise until it locks. If not properly aligned, the fog light may annoy oncoming drivers.



4. Reinstall the removed parts in the reverse order of removal.
  - Make sure the wire harness is not pinched.
  - Tighten the clip and bolts securely.
5. Check the operation of the fog light; re-adjust the aim if necessary.