



# INSTALLATION INSTRUCTIONS

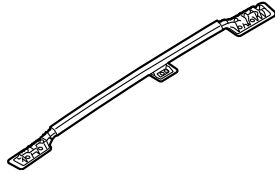
Accessory  
**ROOF RAILS**  
P/N 08L02-TK8-100

Application  
**2013 ODYSSEY**

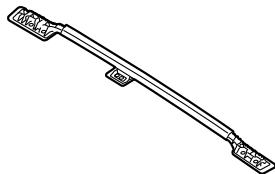
Publications No.  
**All 13282**  
Issue Date  
**AUG 2012**

## PARTS LIST

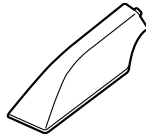
Left side roof rail



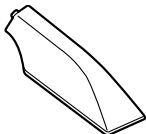
Right side roof rail



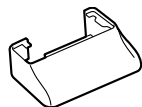
Left front roof rail cover



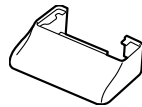
Right front roof rail cover



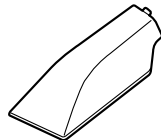
Left center roof rail cover



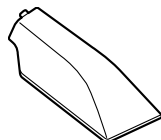
Right center roof rail cover



Left rear roof rail cover



Right rear roof rail cover



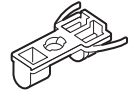
12 Torx nuts



4 Torx screws



2 Roof molding clips



## TOOLS AND SUPPLIES REQUIRED

Tape measure

Needle nose pliers

T-15 and T-30 Torx drivers

Eye protection (face shield, safety goggles, etc.)

File

Felt-tip pen

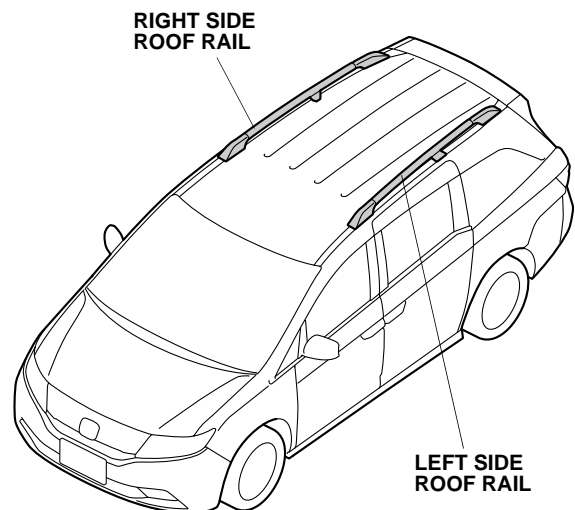
Masking tape

*The following tools are available through the Honda Tool and Equipment Program. On the iN, click on: Service > Service Bay > Tool and Equipment Program, then enter the number under "Search". Or, call 888-424-6857.*

Air saw (Snap-On AT192A)

Trim tool set (T/N SOJATP2014)

## Illustration of the Roof Rails on the Vehicle

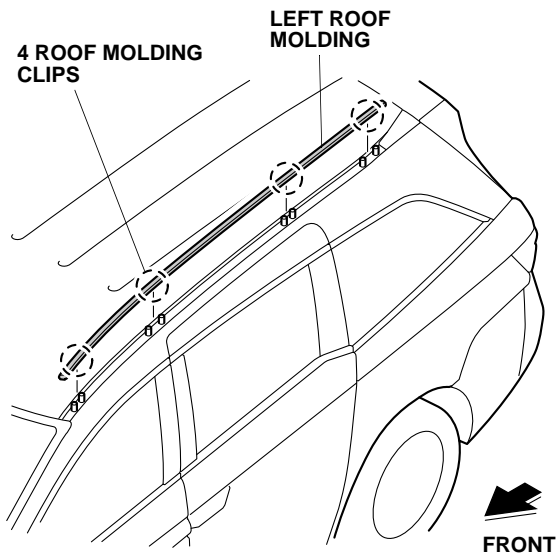


## INSTALLATION

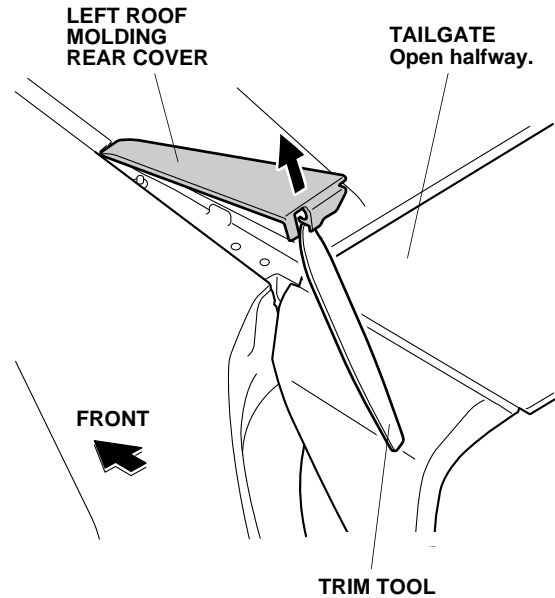
**Customer Information:** The information in this installation instruction is intended for use only by skilled technicians who have the proper tools, equipment, and training to correctly and safely add equipment to your vehicle. These procedures should not be attempted by “do-it-yourselfers.”

**NOTE:** Be extremely careful not to damage the finished surfaces of the body when installing the roof rails.

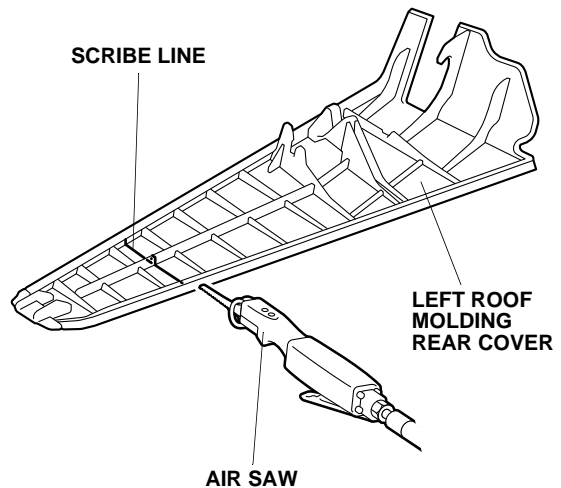
1. Remove the left roof molding by carefully lifting it upward from four roof molding clips.



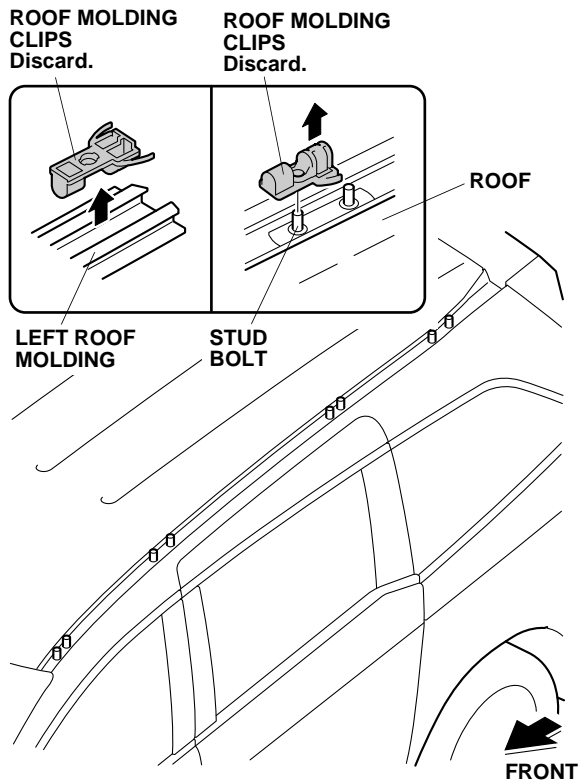
2. Open the tailgate halfway. Using a trim tool, pry up the rear of the left roof molding rear cover.



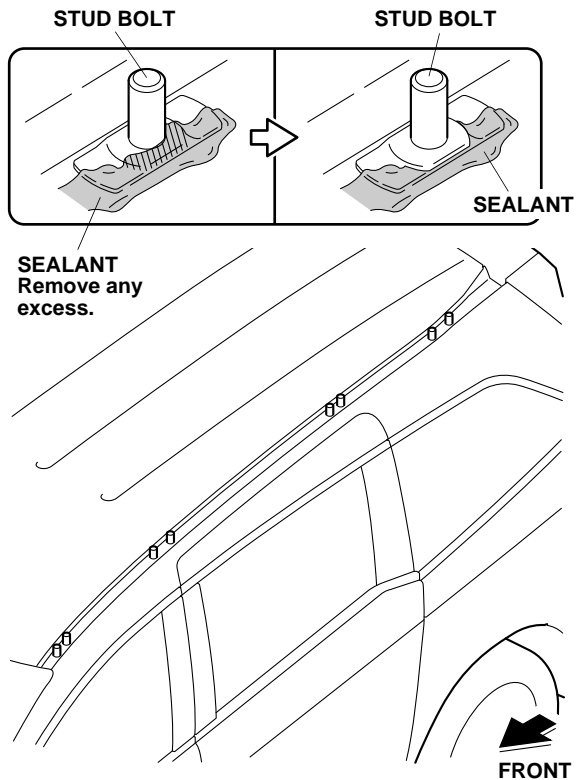
3. While wearing eye protection, use an air saw to cut off the end of the left roof molding rear cover at the scribe line shown. Remove any burrs.



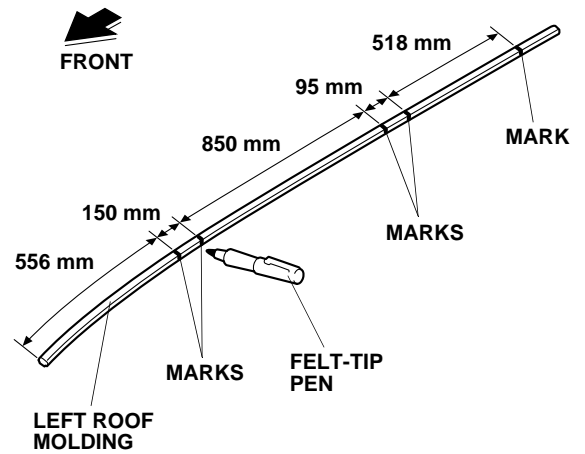
- Remove and discard the four roof molding clips from the roof molding and the stud bolts on the roof.



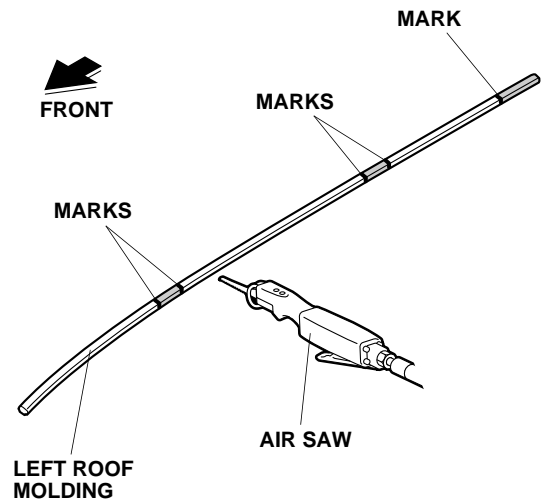
- Remove any sealant that is on the base of the stud bolts.



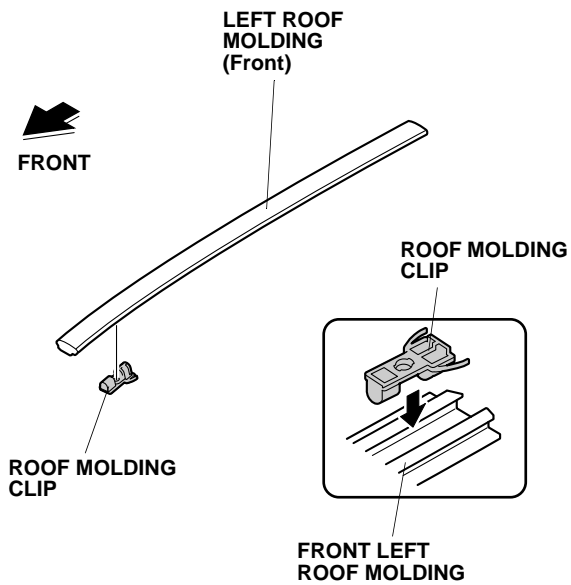
- Measure and mark the left roof molding as shown using a felt-tip pen.



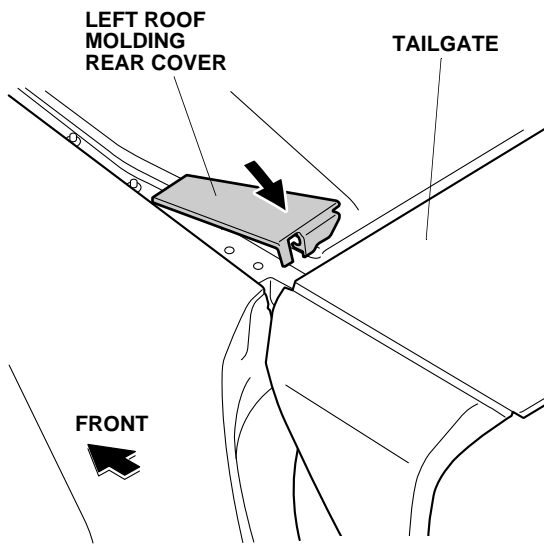
- While wearing eye protection, use an air saw to cut off the left roof molding at the marks made in step 6.



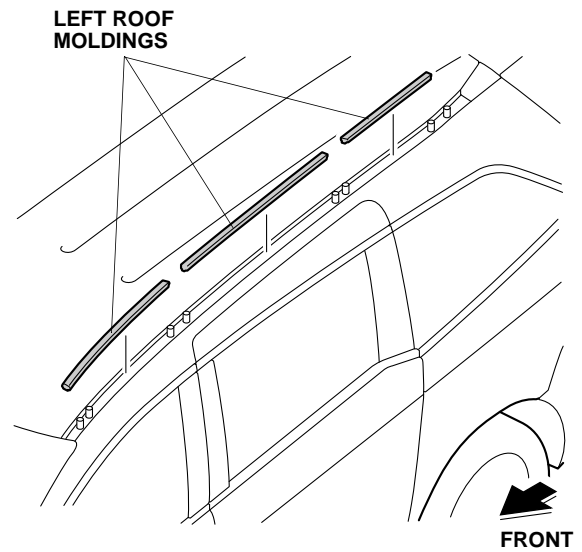
- Install one roof molding clip (supplied) to the front of the left roof molding.



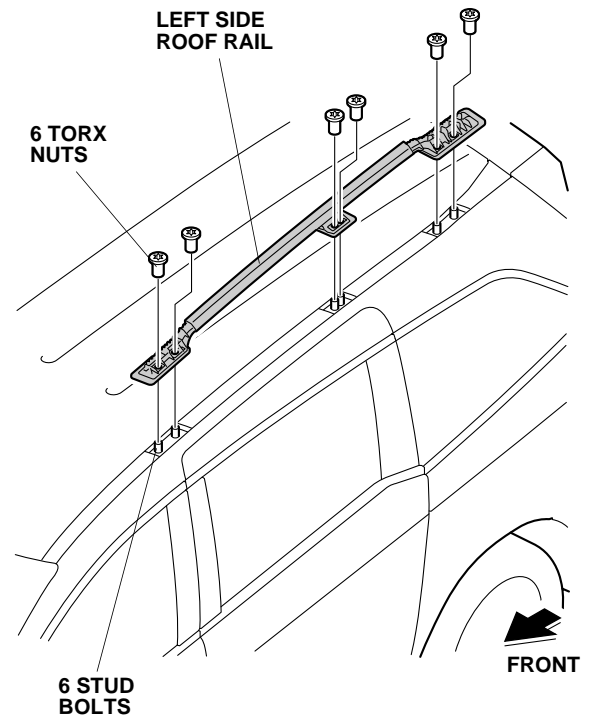
- Reinstall the left roof molding rear cover. **NOTE:** If the roof molding cover is not even with the roof, it is installed incorrectly. Reinstall the roof molding cover properly.



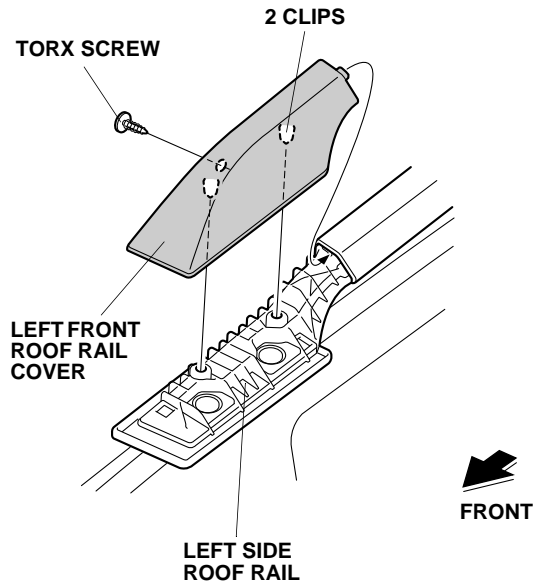
- Reinstall the cut pieces of the left roof molding onto the roof of the vehicle as shown.



- Install the left side roof rail with six Torx nuts. Make sure the roof rail is installed in the correct position. Torque the Torx nuts to: 10 N·m (7.3 lbf·ft)

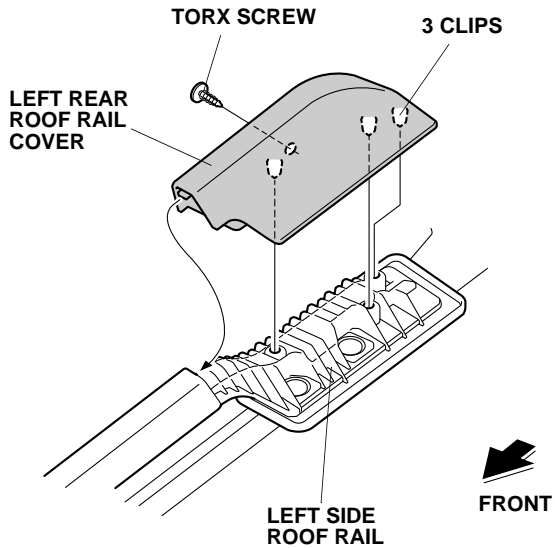


12. Install the left front roof rail cover to the left side roof rail with two clips.



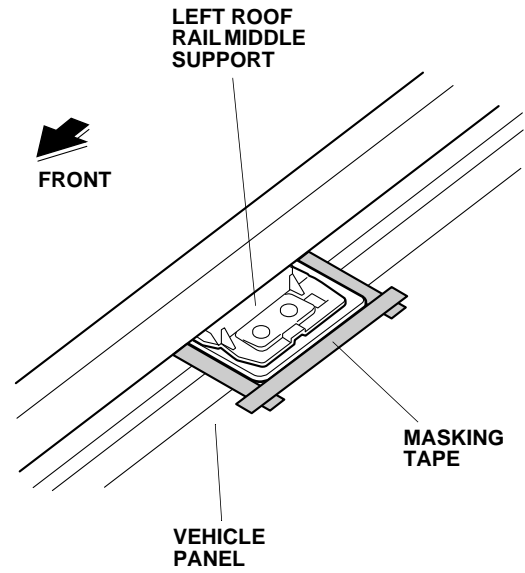
13. Secure the left front roof rail cover to the left side roof rail with one Torx screw.

14. Install the left rear roof rail cover to the left side roof rail with three clips.

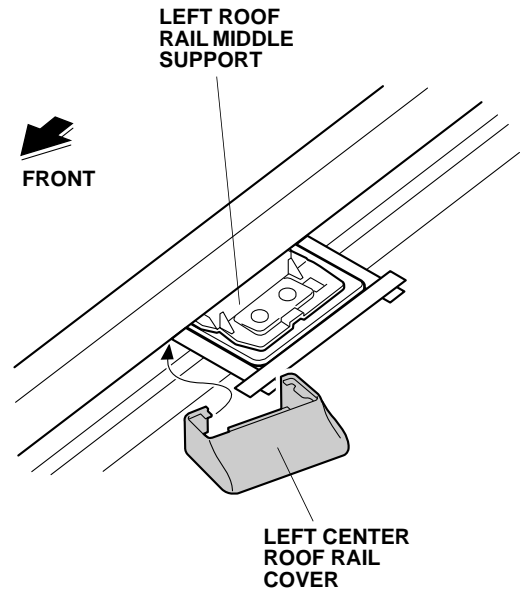


15. Secure the left rear roof rail cover to the left side roof rail with one Torx screw.

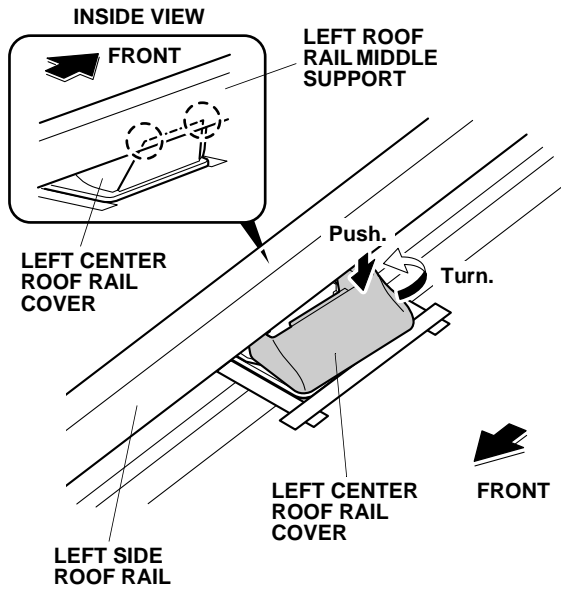
16. Attach masking tape to the vehicle panel around the middle roof rail support.



17. Hook the left center roof rail cover to the left roof rail middle support as shown.



18. Install the left center roof rail cover to the left roof rail middle support as shown. Make sure there is no clearance between the left center roof rail cover and the left roof rail middle support.



19. Remove the masking tape attached in step 16.
20. Repeat steps 1 thru 19 to install the right roof rail on the vehicle.

### USE AND CARE

Check the roof rail mounting bolts frequently, and re-tighten if necessary.