

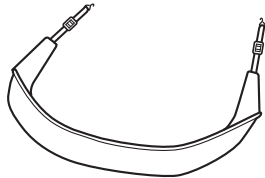


# INSTALLATION INSTRUCTIONS

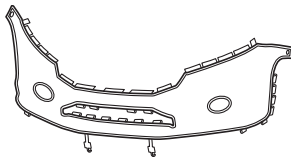
<b>Accessory</b> <b>FULL NOSE MASK</b> <b>P/N 08P35-TP6-100A</b>	<b>Application</b> <b>2014 CROSSTOUR</b>	<b>Publications No.</b> <b>All 50441</b>
		<b>Issue Date</b> <b>SEP 2013</b>

## PARTS LIST

Mask  
(hood section)



Mask  
(bumper section)



2 Snap-screws



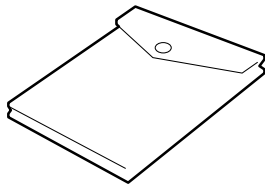
2 Washers



2 Fenderwell nuts



Storage bag



## TOOLS AND SUPPLIES REQUIRED

- Stubby Phillips screwdriver
- Flat-tip screwdriver
- Utility knife
- High-quality paste wax

## INSTALLATION

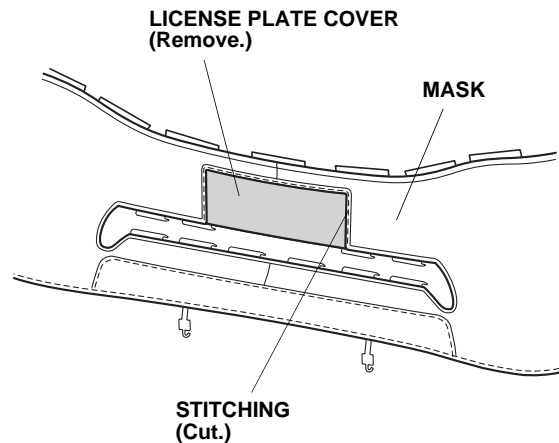
### NOTE:

- Make sure the vehicle and the nose mask are clean and completely dry before installation. If moisture under the mask is allowed to dry, it may cloud the paint. If the mask becomes wet, remove it and allow it to air-dry completely.
- Make sure any repainted surfaces are cured.
- Make sure the hood and nose of the vehicle have been waxed with a high-quality paste wax.
- Make sure to install the nose mask securely. If the nose mask starts to flap or comes loose while driving, safely pull off the highway, stop the vehicle, and secure or remove the mask.

### Displaying the License Plate

If your state law requires the display of both license plates, remove the piece of the bumper section that covers the front license plate:

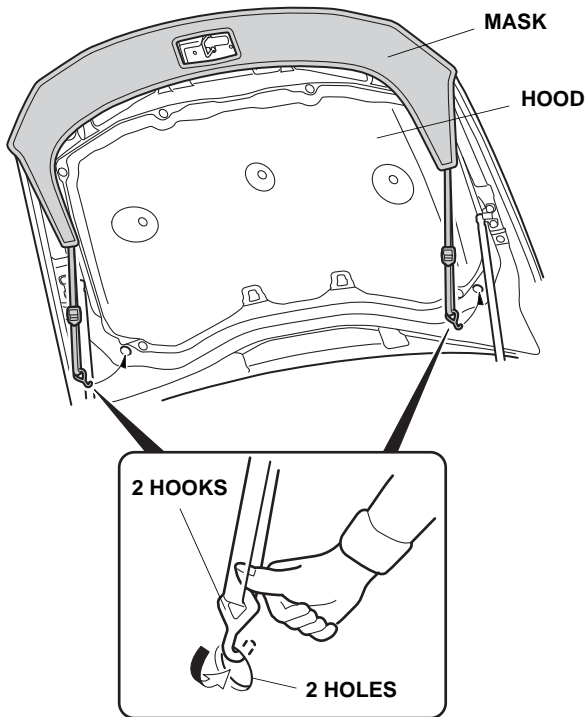
- Face the inside of the mask toward you.
- Carefully cut out the overcast stitching with a utility knife. Remove the stitching and the license plate cover.



QB82201BH

## Installing the Hood Section

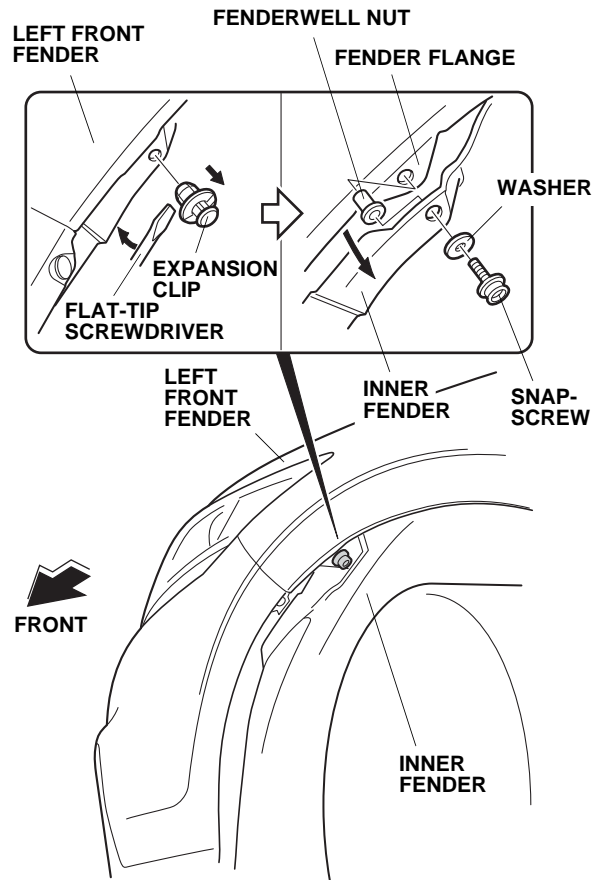
1. Open the hood. Fit the corners of the mask (hood section) around the hood. Adjust the mask so that it fits smoothly over the edges. Attach the hook to the hole on each side. Remove / install the hooks by inserting your finger into the belt of each hook. Pulling the hooks with excessive force can break the hook strap.



QB82202BH

## Installing the Bumper Section

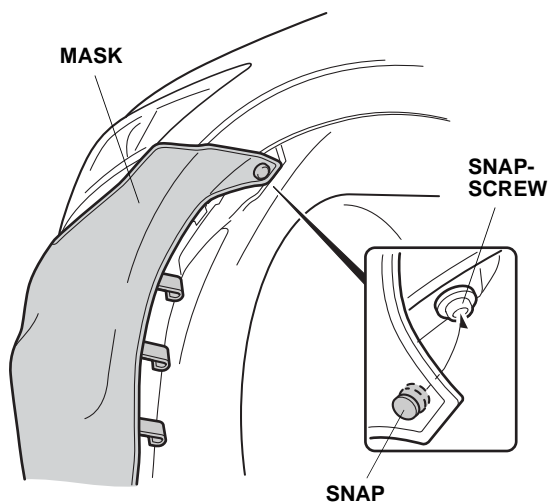
2. Turn the steering wheel all the way clockwise.



QB82203AH

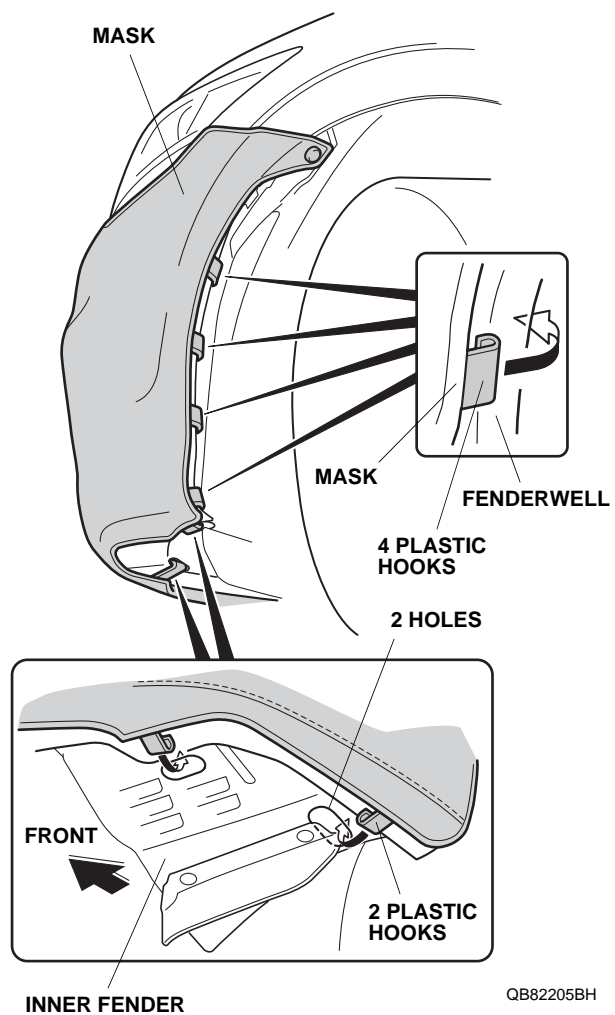
3. Release the expansion clip that fastens the inner fender, remove and retain the clip, then clean the area around the hole.
4. Pull the inner fender out, and press one fenderwell nut into the hole in the fender flange.
5. Place a washer onto the snap-screw, then install and securely tighten the snap-screw into the fenderwell nut.
6. Turn the steering wheel all the way counterclockwise, and repeat steps 3 through 5 on the right side.

7. Fit the mask across the front bumper. Snap the mask onto the snap-screw. Pull the mask back toward the right wheelwell smooth out any wrinkles. Snap the snap-screw on the right side.



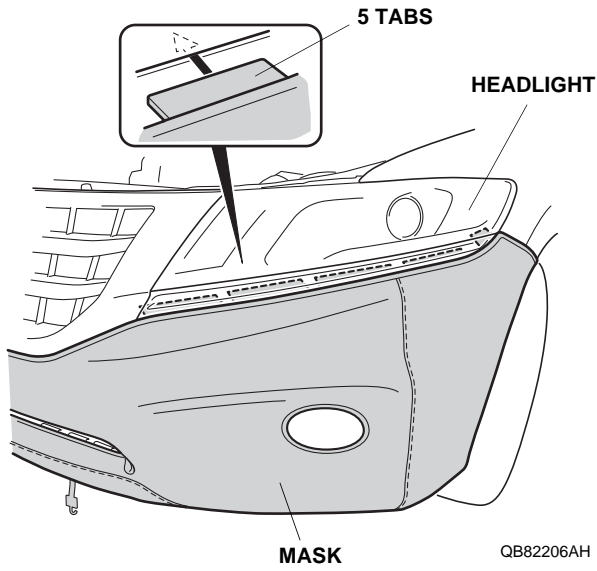
QB82204BH

8. Attach six plastic hooks to the fenderwell and the holes of the inner fender. Repeat on the right side.

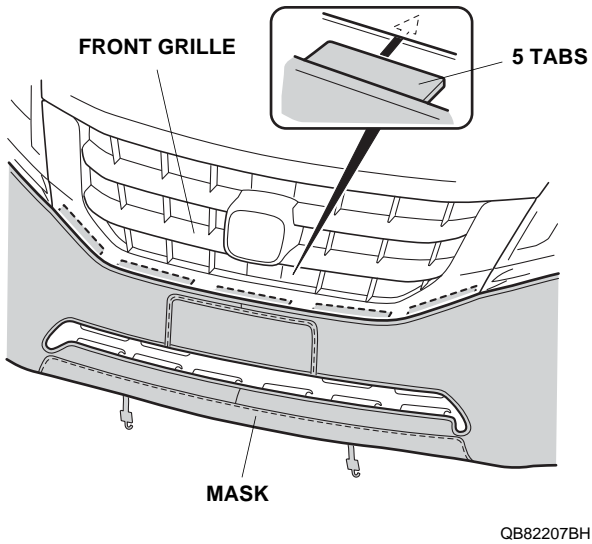


QB82205BH

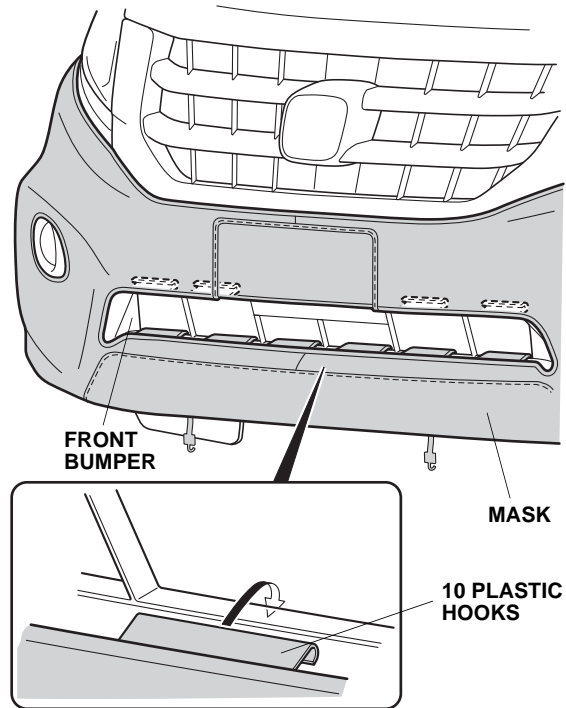
9. Insert the five tabs on each side between the headlight and the front bumper.



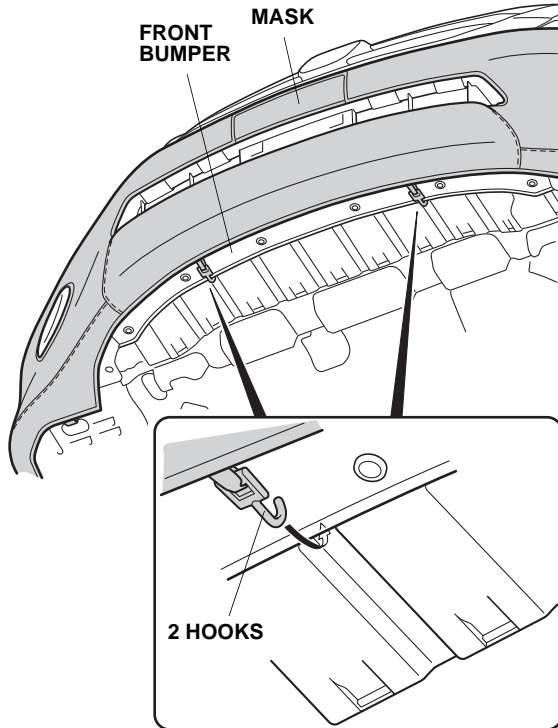
10. Insert the five tabs between the front grille and the front bumper.



11. Attach the 10 plastic hooks to the top and bottom edges of the front bumper opening.



- Attach two hooks to the bottom of the front bumper.



QB82209AH

- Put the expansion clips (removed in step 3) into the storage bag, and place it in the cargo area for future use.

### **CLEANING THE NOSE MASK**

Use a sponge or cloth and a solution of mild liquid dishwashing soap and water to clean the vinyl and the flannel backing. Rinse the mask completely with clean water, and hang it to dry out of direct sunlight. Make sure the mask is completely dry before you reinstall it.