

# HONDA INSTALLATION INSTRUCTIONS

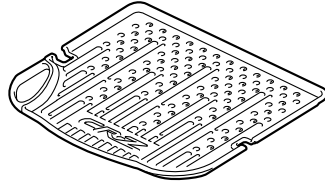
Accessory  
**CARGO TRAY**  
P/N 08U45-SZT-100

Application  
**2015 CR-Z**

Publications No.  
**VERSION 1**  
Issue Date  
**SEP 2014**

## PARTS LIST

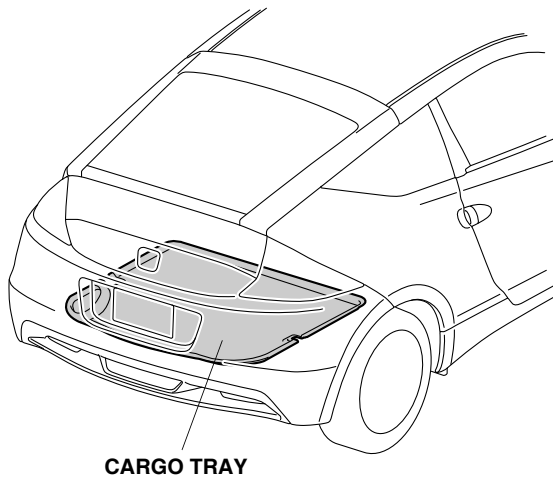
Cargo tray



## TOOLS AND SUPPLIES REQUIRED

Scissors

### Illustration of the Cargo Tray in the Vehicle



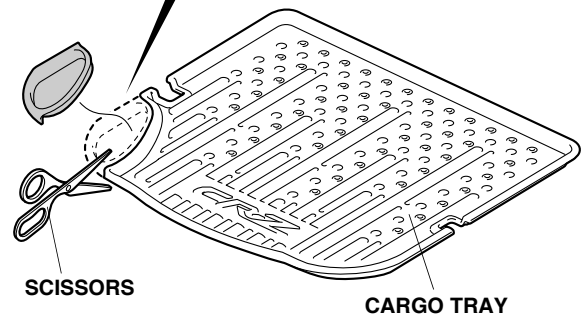
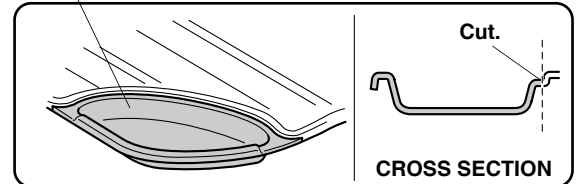
## INSTALLATION

**Customer Information:** The information in this installation instruction is intended for use only by skilled technicians who have the proper tools, equipment, and training to correctly and safely add equipment to your vehicle. These procedures should not be attempted by “do-it-yourselfers.”

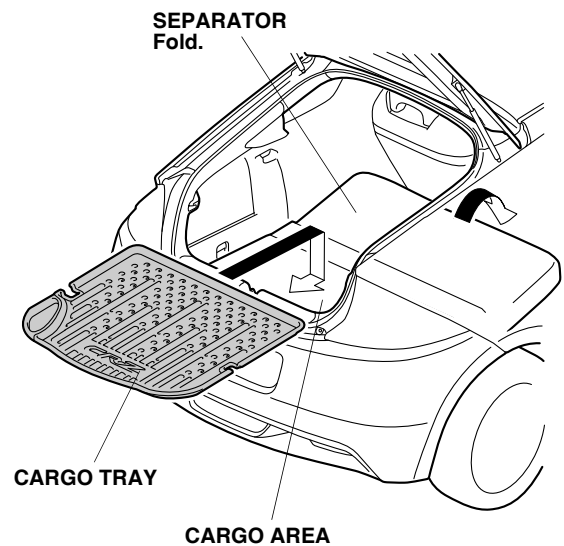
If the vehicle is equipped with a subwoofer, continue with step 1. If not, go to step 2.

- Using scissors, cut the cargo tray in the area shown.

**CARGO TRAY**  
Cut.



- Open the hatch, and fold down the separator. Place the cargo tray inside the vehicle, and align the rear end to the cargo area as shown.



- Raise the separator.