



# INSTALLATION INSTRUCTIONS

Accessory  
MOONROOF VISOR  
P/N 08R01-TK8-100

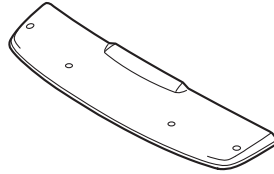
Application  
2015 ODYSSEY

Publications No.  
**VERSION 1**  
Issue Date  
**JULY 2014**

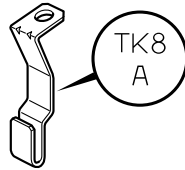
Put this information in the glove box with the vehicle owner's manual.

## PARTS LIST

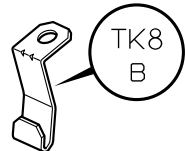
Moonroof visor



2 Front brackets



2 Side brackets



4 Screws



4 Nuts



4 Protective tapes



## TOOLS AND SUPPLIES REQUIRED

Phillips screwdriver

10 mm Offset wrench

Tape Measure

Isopropyl alcohol

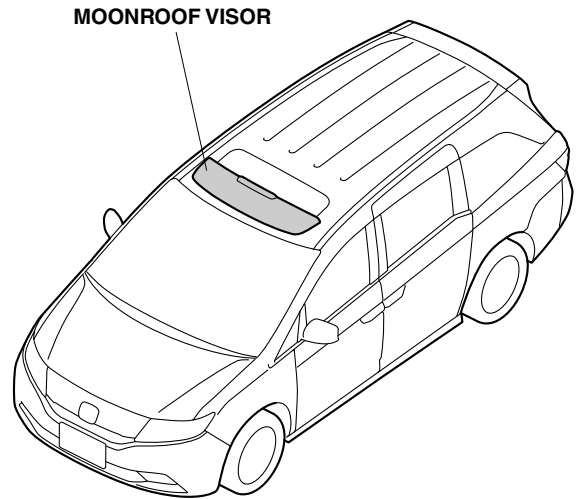
Shop towel

Masking tape

Torque Screwdriver (CDI401SM)

*Available through the Honda Tool and Equipment program. On the iN, click on: Service/Service Bay/Tool and Equipment Program, then enter the number under "Search." Or call 888-424-6857.*

## Illustration of the Moonroof Visor on the Vehicle



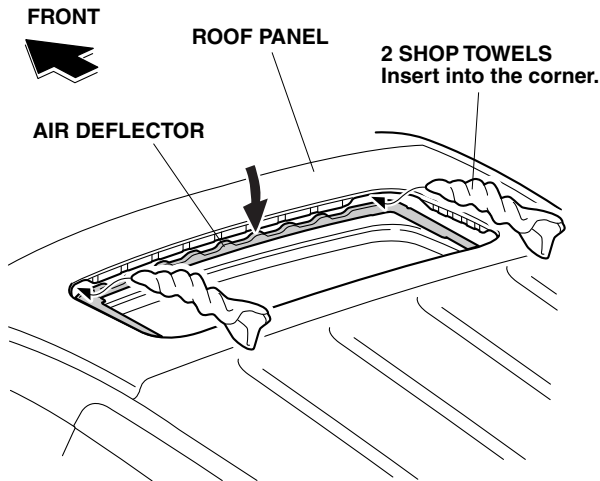
## INSTALLATION

**Customer Information:** The information in this installation instruction is intended for use only by skilled technicians who have the proper tools, equipment, and training to correctly and safely add equipment to your vehicle. These procedures should not be attempted by "do-it-yourselfers."

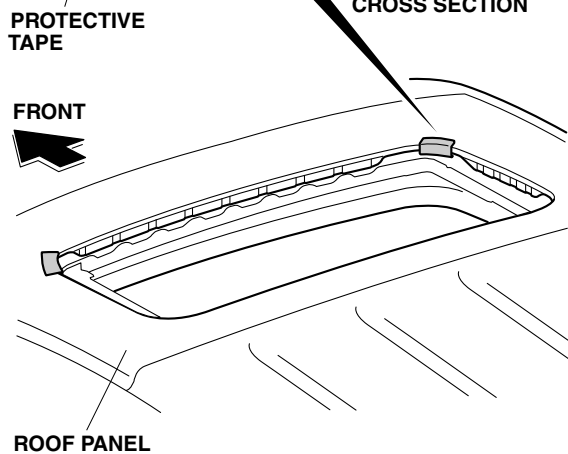
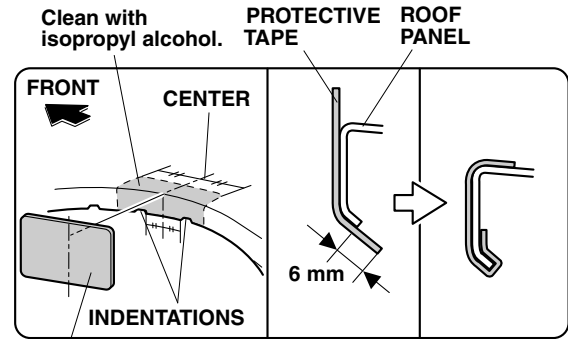
### NOTE:

- The protective tapes should be installed only if the ambient air temperature is 15°C (60°F) or above.
- To allow the adhesive to cure, do not wash the vehicle for 24 hours. Please advise your customer.

1. Clean and wax the area to be covered with a high-quality paste wax.
2. Open the moonroof.
3. Roll up two shop towels, and insert them between the roof panel and air deflector to lower the air deflector. Take care not to damage the air deflector.

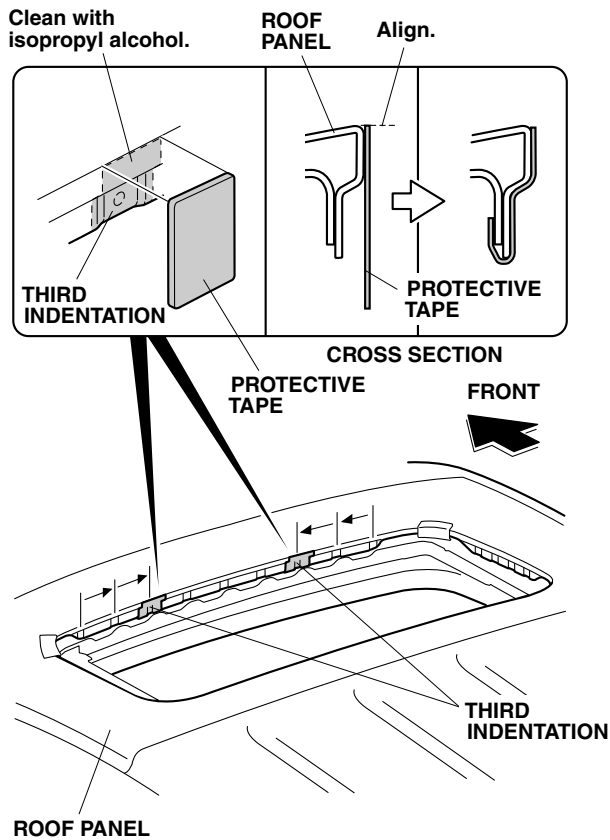


4. Locate the two indentations on the right side of the moonroof opening. Using isopropyl alcohol on a shop towel, clean the roof area and the inside edge of the moonroof where the protective tape will attach.



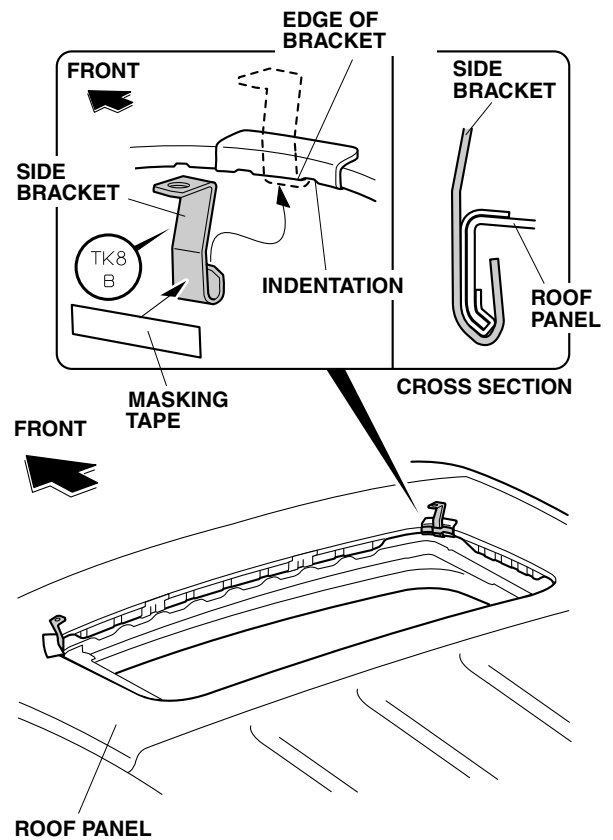
5. Remove the adhesive backing from one protective tape. Align the center of the protective tape with the center of the two indentations on the roof panel. Wrap the bottom 6 mm of the tape around the bottom lip of the moonroof opening as shown. Then wrap the tape around to the top of the roof panel.
6. Repeat steps 4 and 5 to install a protective tape on the left side of the moonroof opening.

7. Locate the third indentation in from the right side of the moonroof opening as shown. Using isopropyl alcohol on a shop towel, clean the roof area where the protective tape will attach.



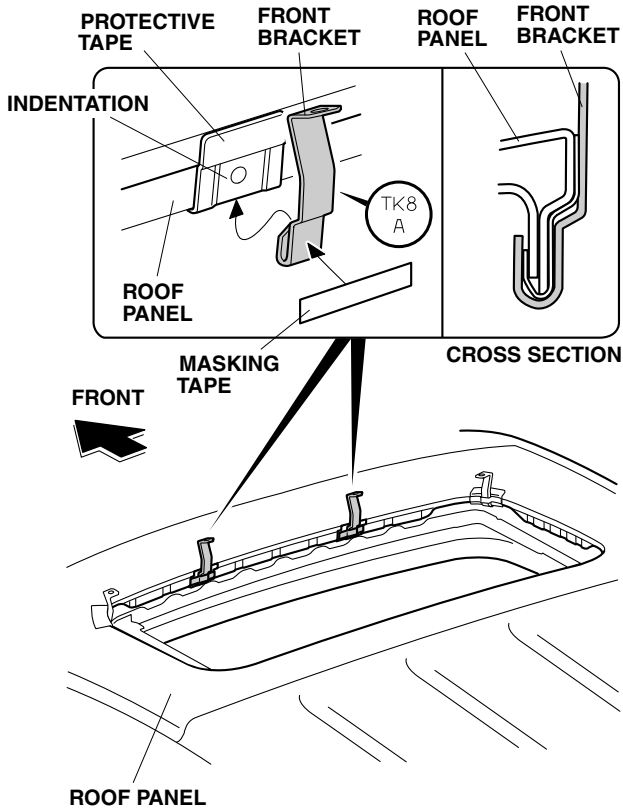
8. Remove the adhesive backing from one protective tape. Starting at the top edge, install the protective tape at the third indentation in from the right side of the moonroof opening.
9. Repeat steps 7 and 8 to install a protective tape on the left side of the moonroof opening.

10. Place one side bracket into position over the protective tape with the edge of the bracket next to the rear indentation. Tape the side bracket to the roof panel with a piece of masking tape.



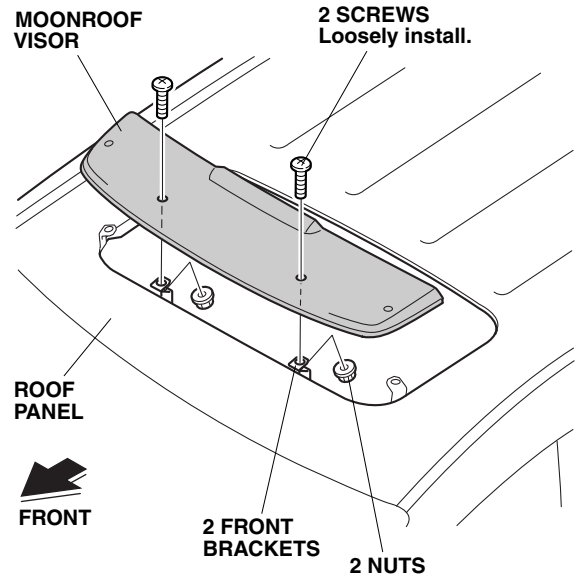
11. Tape the other side bracket to the left side of the moonroof opening.

- Place one front bracket into position over the protective tape. Tape the front bracket to the roof panel with a piece of masking tape.

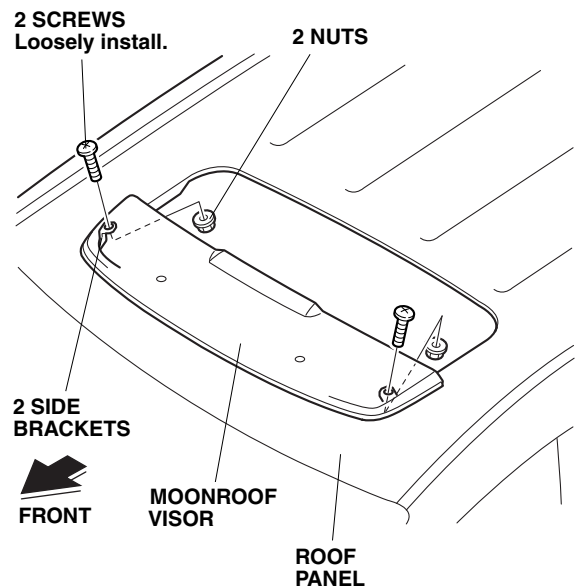


- Tape the other front bracket to the moonroof opening.

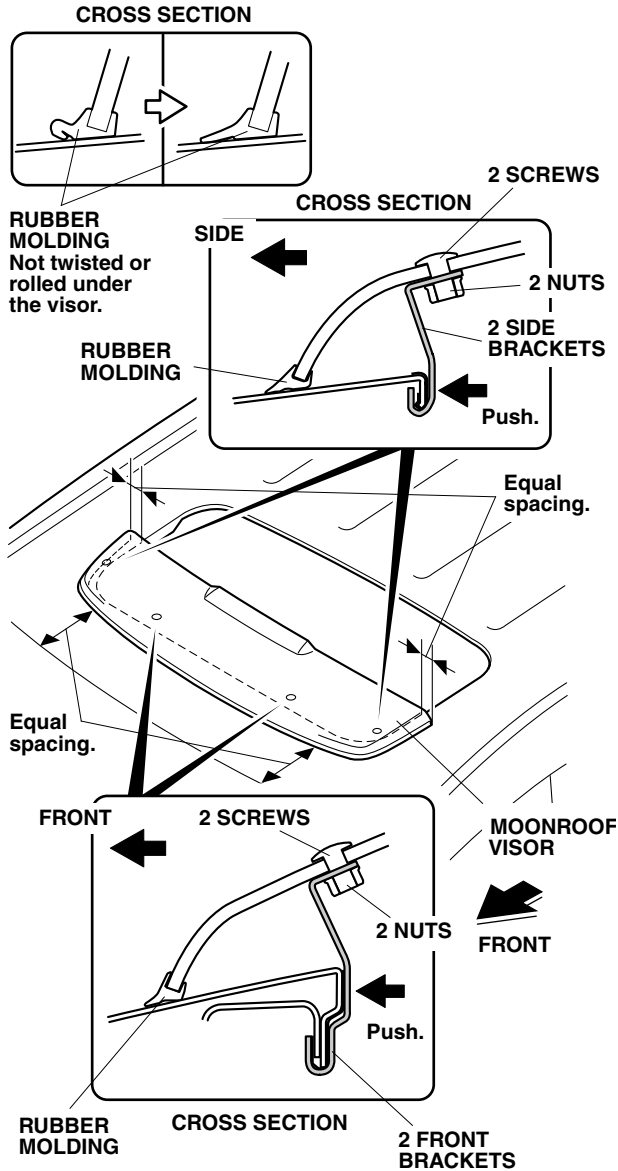
- Set the moonroof visor on the vehicle roof in front of the moonroof opening, and adjust its position so the holes in the visor are aligned with the holes in the front brackets. Loosely install the moonroof visor to the front brackets with two screws and two nuts. Remove the masking tape from the front brackets.



- Loosely install the moonroof visor to the side brackets with two screws and two nuts. Remove the masking tape from the side brackets.

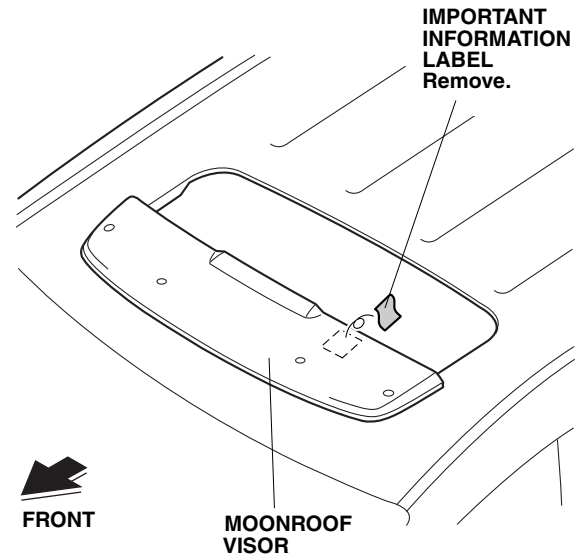


16. Adjust the moonroof visor so there is equal spacing on each side. Check that the rubber molding on the moonroof visor is not twisted or rolled under the visor, and unfold if necessary.



17. Tighten two screws and two nuts on each side of the vehicle first, then tighten two screws and two nuts on the front. Tighten while applying pressure so that there is no gap between the brackets and the roof panel. Torque the screws to 2 N·m (1.5 lbf·ft).

18. Remove the IMPORTANT INFORMATION label and the shop towels.



#### CARE OF THE MOONROOF VISOR

- To avoid damaging the surface, never use ammonia-based cleaners or solvents to clean the moonroof visor.
- Clean with a solution of mild dishwashing soap and water using a soft cloth or chamois.
- To remove fine scratches and restore the original luster, use Meguiar's Mirror Glaze plastic cleaner and polish or an equivalent high-quality plastic cleaner.