



# INSTALLATION INSTRUCTIONS

Accessory  
**ALL-SEASON FLOOR MATS**  
P/N 08P13-T5A-100

Application  
**2018 FIT**

Publications No.  
**VERSION 1**  
Issue Date  
**JUL 2017**

## PARTS LIST

Driver's all-season floor mat



Passenger's all-season floor mat



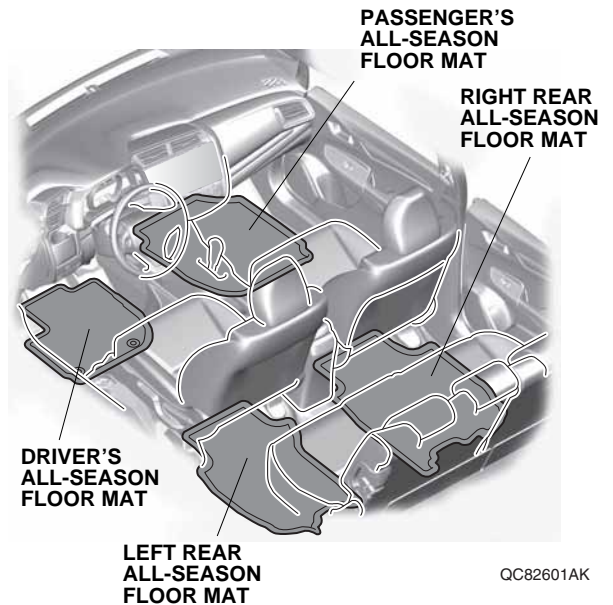
Left rear all-season floor mat



Right rear all-season floor mat



## Illustration of the All-season Floor Mats in the Vehicle



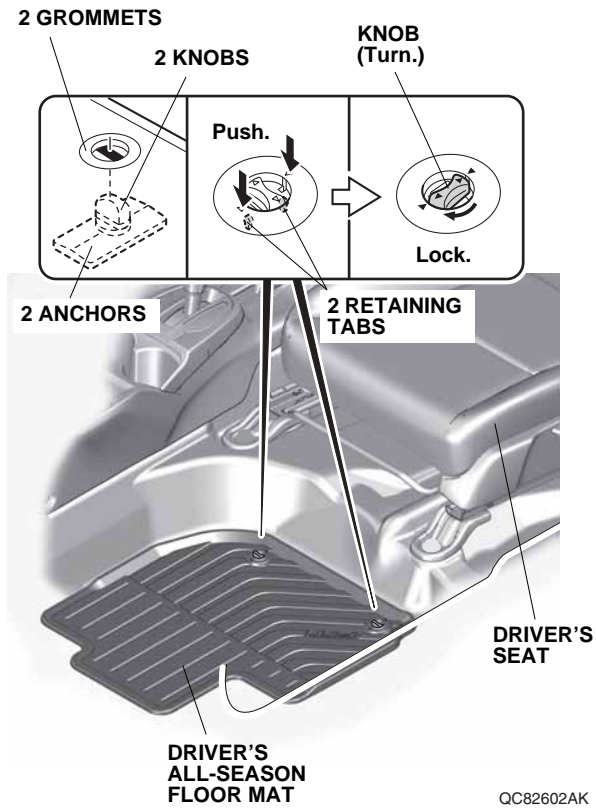
## INSTALLATION

### NOTE:

- Before installing the mats, identify their installation positions.
- Connect the mats to the anchors to prevent the mats from sliding forward and possibly interfering with the pedals.
- If you remove a mat, make sure you re-anchor it when you put it back in your vehicle.
- If you replace a mat, use a factory mat designed to be used with the anchors.
- If you use a non-factory mat in the driver's footwell, make sure it fits properly and that it can be used with the anchors.
- Do not put an additional mat on top of the anchored mat. An additional mat may slide forward and possibly interfere with the pedals.

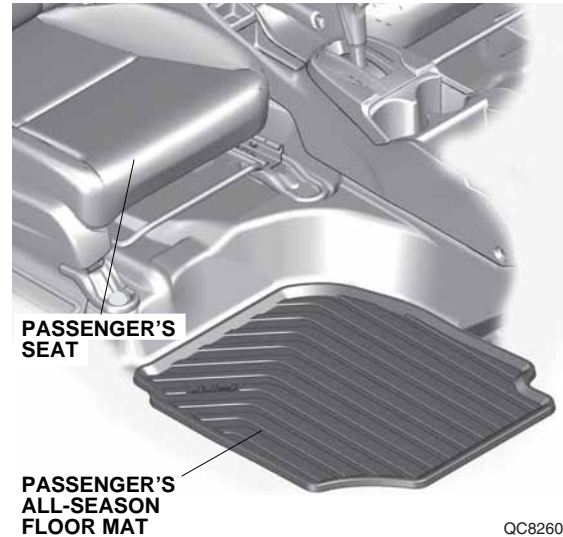
## Installing the All-season Floor Mats

1. If equipped, remove the standard floor mats as described in the vehicle Owner's Manual.



2. Place the grommets in the driver's all-season floor mat over the anchors. Push the grommets into the anchors to secure the retaining tabs, then turn the knobs 90° to secure the all-season floor mat.

3. Place the passenger's all-season floor mat as shown.



4. Place the left and right rear all-season floor mats in the areas shown.

